

Quick Start Guide FRDM-KW36

FREEDOM DEVELOPMENT PLATFORM



Quick Start Guide

GET TO KNOW THE FRDM-KW36

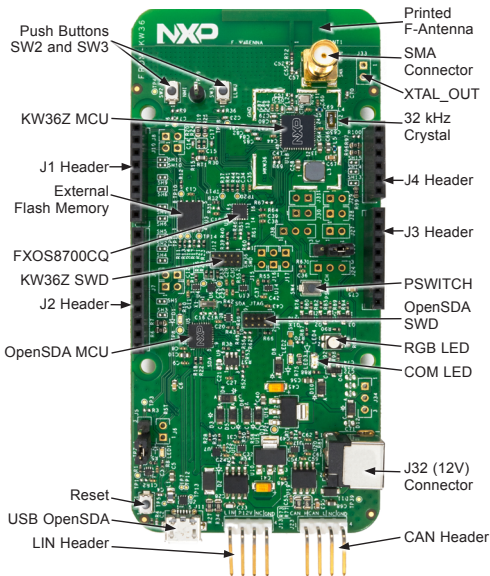


Figure 1: FRDM-KW36 Board Components

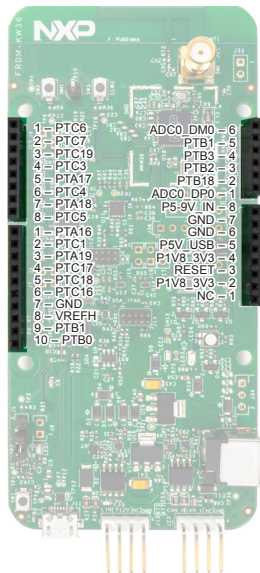
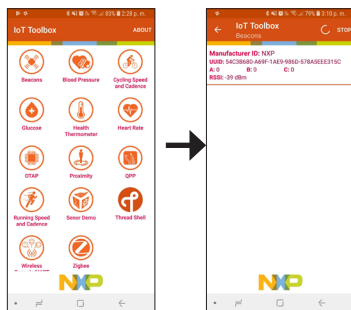
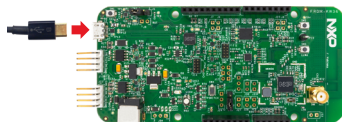


Figure 2: FRDM-KW36 Board Connections

HOW TO GET STARTED

1. Connect the FRDM-KW36 board to a PC using the included micro-USB cable to the USB OpenSDA connector of the FRDM-KW36.
2. Your FRDM-KW36 RGB LED should start cycling through the colors White, Magenta, Blue, Cyan, Green, Yellow and Red when you connect the board.
3. Using a smartphone supporting Bluetooth® Low Energy (Bluetooth LE), install and open the **NXP IoT Toolbox** mobile application, available in Google Play or AppStore. Open the “Beacons” demo and the FRDM-KW36 Beacon will be displayed.
4. Explore more out-of-box demos and download software and tools at www.nxp.com/FRDM-KW36/startnow.
5. Enjoy your design freedom with the FRDM-KW36.



SUPPORT

Visit www.nxp.com/support for a list of phone numbers within your region.

WARRANTY

Visit www.nxp.com/warranty for complete warranty information.



Get Started

Download installation software and documentation under “Jump Start Your Design” at www.nxp.com/FRDM-KW36.

The following information is provided per Article 10.8 of the Radio Equipment Directive 2014/53/EU:

- (a) Frequency bands in which the equipment operates.
- (b) The maximum RF power transmitted.

PN	RF Technology	(a) Freq Ranges (EU)	(b) Max Transmitted Power
FRDM-KW36	Bluetooth LE	2360 MHz – 2483 MHz	3.5 dBm

EUROPEAN DECLARATION OF CONFORMITY

(Simplified DoC per Article 10.9 of the Radio Equipment Directive 2014/53/EU)

This apparatus, namely FRDM-KW36 Freedom Development Platform, conforms to the Radio Equipment Directive 2014/53/EU.

The full EU Declaration of Conformity for this apparatus can be found at this location:

www.nxp.com/FRDM-KW36

www.nxp.com

NXP, the NXP logo and Kinetis are trademarks of NXP B.V. All other product or service names are the property of their respective owners. © 2018 NXP B.V.

Document Number: FRDMKW36QSG REV 1

Agile Number: 926-29555 REV B