



Is Now Part of



ON Semiconductor®

To learn more about ON Semiconductor, please visit our website at
www.onsemi.com

Please note: As part of the Fairchild Semiconductor integration, some of the Fairchild orderable part numbers will need to change in order to meet ON Semiconductor's system requirements. Since the ON Semiconductor product management systems do not have the ability to manage part nomenclature that utilizes an underscore (_), the underscore (_) in the Fairchild part numbers will be changed to a dash (-). This document may contain device numbers with an underscore (_). Please check the ON Semiconductor website to verify the updated device numbers. The most current and up-to-date ordering information can be found at www.onsemi.com. Please email any questions regarding the system integration to Fairchild_questions@onsemi.com.

ON Semiconductor and the ON Semiconductor logo are trademarks of Semiconductor Components Industries, LLC dba ON Semiconductor or its subsidiaries in the United States and/or other countries. ON Semiconductor owns the rights to a number of patents, trademarks, copyrights, trade secrets, and other intellectual property. A listing of ON Semiconductor's product/patent coverage may be accessed at www.onsemi.com/site/pdf/Patent-Marking.pdf. ON Semiconductor reserves the right to make changes without further notice to any products herein. ON Semiconductor makes no warranty, representation or guarantee regarding the suitability of its products for any particular purpose, nor does ON Semiconductor assume any liability arising out of the application or use of any product or circuit, and specifically disclaims any and all liability, including without limitation special, consequential or incidental damages. Buyer is responsible for its products and applications using ON Semiconductor products, including compliance with all laws, regulations and safety requirements or standards, regardless of any support or applications information provided by ON Semiconductor. "Typical" parameters which may be provided in ON Semiconductor data sheets and/or specifications can and do vary in different applications and actual performance may vary over time. All operating parameters, including "Typicals" must be validated for each customer application by customer's technical experts. ON Semiconductor does not convey any license under its patent rights nor the rights of others. ON Semiconductor products are not designed, intended, or authorized for use as a critical component in life support systems or any FDA Class 3 medical devices or medical devices with a same or similar classification in a foreign jurisdiction or any devices intended for implantation in the human body. Should Buyer purchase or use ON Semiconductor products for any such unintended or unauthorized application, Buyer shall indemnify and hold ON Semiconductor and its officers, employees, subsidiaries, affiliates, and distributors harmless against all claims, costs, damages, and expenses, and reasonable attorney fees arising out of, directly or indirectly, any claim of personal injury or death associated with such unintended or unauthorized use, even if such claim alleges that ON Semiconductor was negligent regarding the design or manufacture of the part. ON Semiconductor is an Equal Opportunity/Affirmative Action Employer. This literature is subject to all applicable copyright laws and is not for resale in any manner.



FPF2495 IntelliMAX™ 28 V, Over-Voltage, Over-Current Protection Load Switch with Adjustable Current-Limit Control

Features

- V_{IN} : 2.5 V~5.5 V
- 28 V Absolute Ratings at V_{OUT}
- Current Capability: 2 A
- Adjustable Current Limit: 0.05 A ~ 2 A (Typ.)
 - 0.1 A~2 A with 10% Accuracy
 - < 0.1A with 15% Accuracy
- R_{ON} : Maximum 100 mΩ at 5 V_{IN} and 1 A I_{OUT}
- Output OVP: Min.=5.6 V, Typ.=5.8 V, Max.=6 V
- No Output Discharge During Off State
- Open-Drain OCP on FLAGB
- Thermal Shutdown
- Under-Voltage Lockout (UVLO)
- True Reverse-Current Blocking (TRCB)
- Logic CMOS IO Meets JESD76 Standard for GPIO Interface and Related Power Supply Requirements
- ESD Protected:
 - Human Body Model: >2 kV
 - Charged Device Model: >2.5 kV
 - IEC 61000-4-2 Air Discharge: >15 kV
 - IEC 61000-4-2 Contact Discharge: >8 kV

Description

The FPF2495 advanced load-management switch targets applications requiring a highly integrated solution. It disconnects loads powered from the DC power rail (<6 V) with stringent off-state current targets and high load capacitances (<100 μF). The FPF2495 consists of a slew-rate controlled low-impedance MOSFET switch (100 mΩ maximum) and integrated analog features. The slew-rate controlled turn-on characteristic prevents inrush current and the resulting excessive voltage droop on power rails. FPF2495 has over-voltage protection and over-temperature protection.

The FPF2495 has a True Reverse-Current Blocking (TRCB) function that obstructs unwanted reverse current from V_{OUT} to V_{IN} during ON and OFF states. The exceptionally low off-state current drain (<2 μA maximum) facilitates compliance with standby power requirements. The input voltage range operates from 2.5 V to 5.5 V_{DC} to support a wide range of applications in consumer, optical, medical, storage, portable, and industrial-device power management. Switch control is managed by a logic input (active HIGH) capable of interfacing directly with low-voltage control signal / General-Purpose Input / Output (GPIO) without an external pull-down resistor.

The device is packaged in advanced, fully “green” compliant, 1.21 mm x 1.21 mm, Wafer-Level Chip-Scale Package (WLCSP).

Applications

- Smart Phones, Tablet PCs
- Storage, DSLR, and Portable Devices

Ordering Information

Part Number	Operating Temperature Range	Package	Packing Method	Top Mark
FPF2495UCX	-40 to 85°C	1.21 mm x 1.21 mm, Wafer-Level Chip-Scale Package (WLCSP)	Tape & Reel	TH

Application Diagram

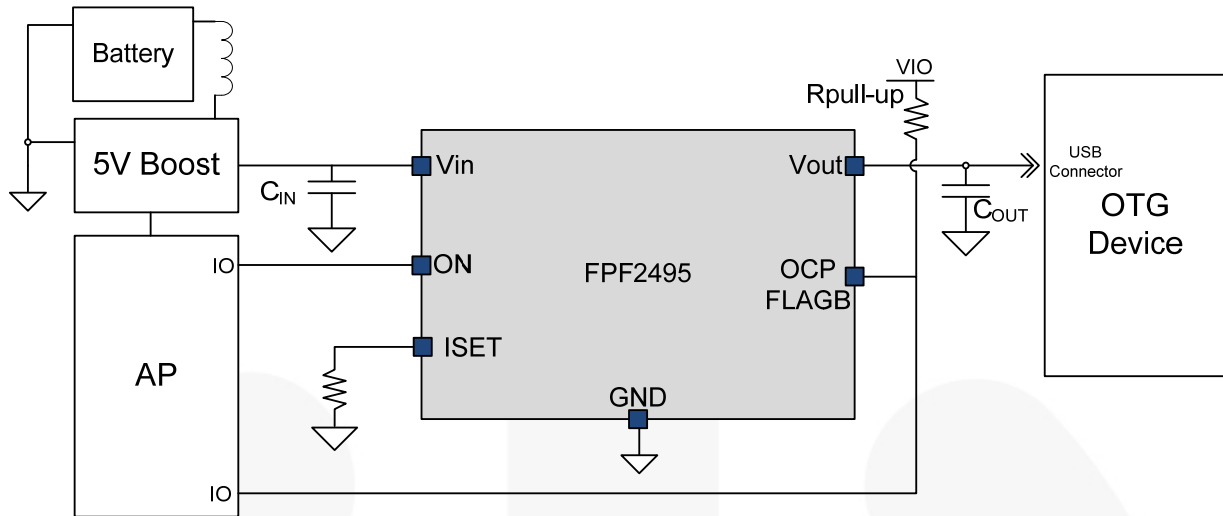


Figure 1. Typical Application

Note:

1. C_{IN} and C_{OUT} capacitors recommended for improvement of device stability.

Functional Block Diagram

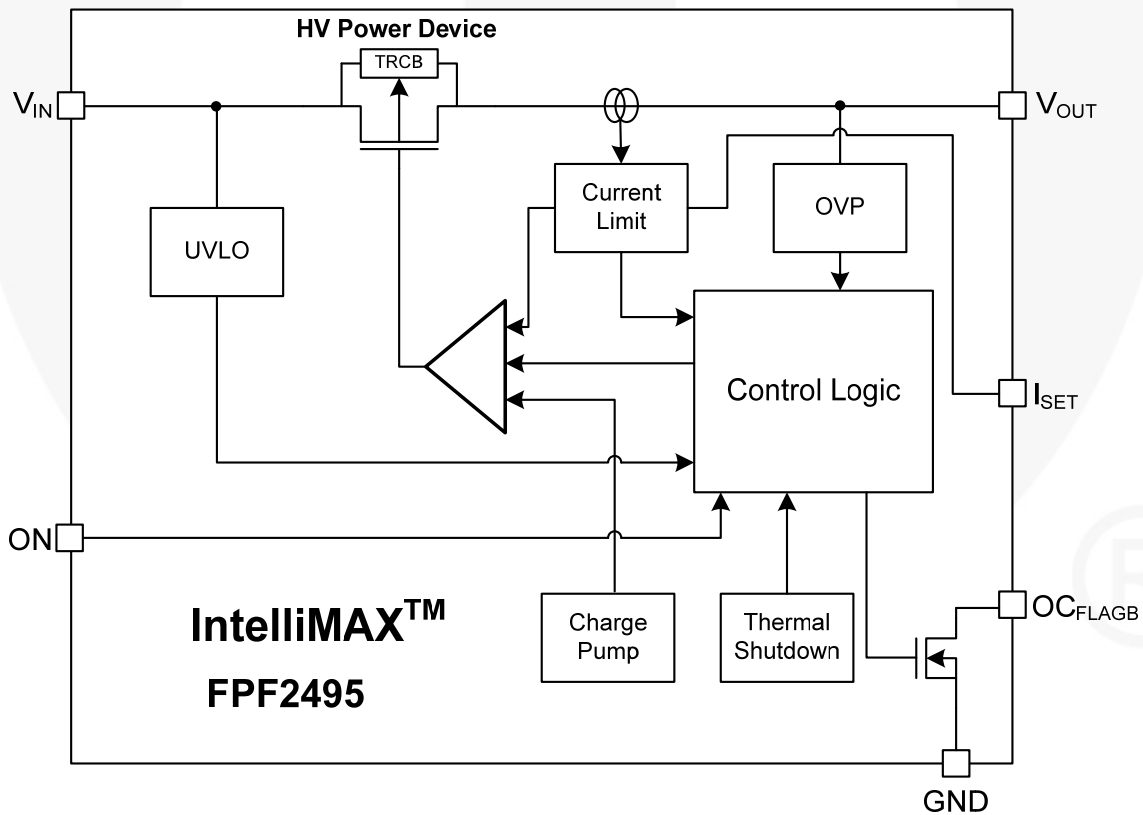


Figure 2. Functional Block Diagram

Pin Configurations

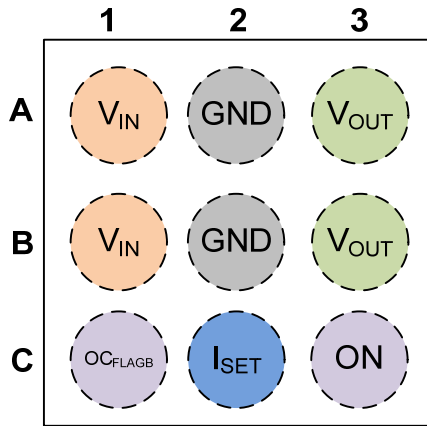


Figure 3. Pin Assignments (Top View)

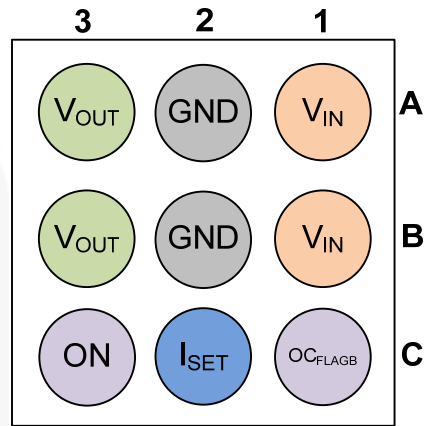


Figure 4. Pin Assignments (Bottom View)

Pin Description

Pin #	Name	Description	
A3, B3	V _{OUT}	Switch Output	
A1, B1	V _{IN}	Supply Input: Input to the power switch	
A2	GND	Ground (true device ground)	
B2			
C3	ON	ON/OFF Control Input: Active HIGH - GPIO compatible	Logic HIGH Switch Enable
			Logic LOW Switch Disable
C1	OC _{FLAGB}	Fault Output: Active LOW, open-drain output that indicates an input over current. External pull-up resistor to V _{CC} is required.	
C2	I _{SET}	Current Limit Set Input: A resistor from ISET to ground sets the current limit for the switch.	

Absolute Maximum Ratings

Stresses exceeding the absolute maximum ratings may damage the device. The device may not function or be operable above the recommended operating conditions and stressing the parts to these levels is not recommended. In addition, extended exposure to stresses above the recommended operating conditions may affect device reliability. The absolute maximum ratings are stress ratings only.

Symbol	Parameters	Min.	Max.	Unit
V_{PIN}	V_{OUT} to GND, V_{OUT} to V_{IN}	-0.3	28.0	V
	ON, V_{IN} , FLAGB, I_{SET} to GND	-0.3	6.0	
I_{SW}	Maximum Continuous Switch Current ⁽⁴⁾		2.2	A
t_{PD}	Total Power Dissipation at $T_A=25^{\circ}\text{C}$		1.0	W
T_J	Operating Junction Temperature	-40	+150	$^{\circ}\text{C}$
T_{STG}	Storage Junction Temperature	-65	+150	$^{\circ}\text{C}$
Θ_{JA}	Thermal Resistance, Junction-to-Ambient (1-inch Square Pad of 2 oz. Copper)		95 ⁽²⁾	$^{\circ}\text{C}/\text{W}$
			110 ⁽³⁾	
ESD	Electrostatic Discharge Capability	Human Body Model, JESD22-A114	2.0	kV
		Charged Device Model, JESD22-C101	2.5	
	IEC61000-4-2 System Level	Air Discharge (V_{IN} , V_{ON} , V_{OUT} to GND)	15.0	
		Contact Discharge (V_{IN} , V_{ON} , V_{OUT} to GND)	8.0	

Notes:

- Measured using 2S2P JEDEC std. PCB.
- Measured using 2S2P JEDEC PCB cold plate method.
- Maximum Junction Temperature = 85°C .

Recommended Operating Conditions

The Recommended Operating Conditions table defines the conditions for actual device operation. Recommended operating conditions are specified to ensure optimal performance to the datasheet specifications. Fairchild does not recommend exceeding them or designing to Absolute Maximum Ratings.

Symbol	Parameters	Min.	Max.	Unit
V_{IN}	Supply Voltage	2.5	5.5	V
T_A	Ambient Operating Temperature	-40	85	$^{\circ}\text{C}$

Electrical Characteristics

Unless otherwise noted; $V_{IN}=2.5$ to 5.5 V, $T_A=-40$ to $+85^\circ\text{C}$; typical values are at $V_{IN}=5$ V and $T_A=25^\circ\text{C}$.

Symbol	Parameters	Condition	Min.	Typ.	Max.	Unit
Basic Operation						
V_{IN}	Input Voltage		2.5		5.5	V
$I_{Q(OFF)}$	Off Supply Current	$V_{ON}=\text{GND}$, $V_{OUT}=\text{Open}$		1	2	μA
$I_{SD(OFF)}$	Shutdown Current	$V_{IN}=5.5$ V, $V_{OUT}=0$ V, $V_{ON}=\text{GND}$		0.1	4.0	μA
I_Q	Quiescent Current	$I_{OUT}=0$ mA		65	100	μA
R_{ON}	On Resistance	$V_{IN}=5.0$ V, $I_{OUT}=1$ A		70	100	m Ω
		$V_{IN}=3.7$ V, $I_{OUT}=1$ A		75	105	
R_{ON}	On Resistance ⁽⁶⁾	$V_{IN}=5.0$ V, $I_{OUT}=1.5$ A		70		m Ω
V_{IH}	ON Input Logic HIGH Voltage	$V_{IN}=2.5$ V to 5.5 V	1.15			V
V_{IL}	ON Input Logic LOW Voltage	$V_{IN}=2.5$ V to 5.5 V			0.65	V
V_{IL_FLAG}	FLAGB Output Logic LOW Voltage	$V_{IN}=5$ V, $I_{SINK}=10$ mA		0.1	0.2	V
		$V_{IN}=2.5$ V, $I_{SINK}=10$ mA		0.15	0.30	
I_{FLAGB_LK}	FLAGB Output HIGH Leakage Current	$V_{IN}=5$ V, Switch On			1	μA
I_{ON}	On Input Leakage	$V_{ON}=0$ V to V_{IN}			1.0	μA
R_{ON_PD}	Pull-Down Resistance at ON Pin	$V_{IN}=2.5\sim 5.5$ V, $V_{ON}=\text{HIGH}$, $T_A=-40$ to 85°C		14		M Ω
Over-Voltage Protection						
V_{OV_TRIP}	Output OVP Lockout	V_{OUT} Rising Threshold	5.50	5.80	6.00	V
		V_{OUT} Falling Threshold		5.50		
OUT_{HYS}	Output OVP Hysteresis	V_{OUT} Falling Threshold		0.3		V
t_{OVP}	OVP Response Time ⁽⁶⁾	$I_{OUT}=0.5$ A, $C_L=1$ μF , $T_A=25^\circ\text{C}$, V_{OUT} from 5.5 V to 6.0 V	1		4 ⁽⁶⁾	μs
Over-Current Protection						
I_{LIM}	Current Limit	$V_{IN}=5$ V, $R_{SET}=20000$ Ω , $V_{OUT}=1.68$ to 5 V with 15% Accuracy ⁽⁵⁾	42	50	58	mA
		$V_{IN}=5$ V, $R_{SET}=2100$ Ω , $V_{OUT}=1.68$ to 5 V with 10% Accuracy ⁽⁵⁾	450	500	550	
		$V_{IN}=5$ V, $R_{SET}=1070$ Ω , $V_{OUT}=1.68$ to 5 V with 10% Accuracy ⁽⁵⁾	900	1000	1100	
V_{UVLO}	Under-Voltage Lockout	V_{IN} Increasing		2.4		V
		V_{IN} Decreasing		2.2		
V_{UVLO_HYS}	UVLO Hysteresis			200		mV
V_{T_RCB}	RCB Protection Trip Point	$V_{OUT} - V_{IN}$		50		mV
V_{R_RCB}	RCB Protection Release Trip Point	$V_{IN} - V_{OUT}$		50		mV

Continued on the following page...

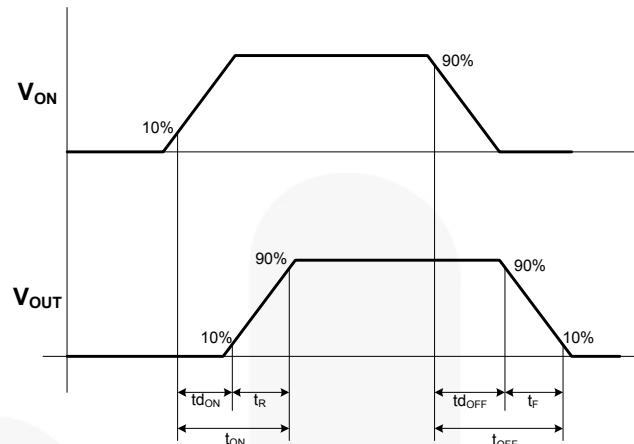
Electrical Characteristics (Continued)Unless otherwise noted; $V_{IN}=2.5$ to 5.5 V, $T_A=-40$ to $+85^\circ\text{C}$; typical values are at $V_{IN}=5$ V and $T_A=25^\circ\text{C}$.

Symbol	Parameters	Conditions	Min.	Typ.	Max.	Unit
V_{RCB_HYS}	RCB Hysteresis			100		mV
t_{RCB}	Default RCB Response Time	$V_{IN}=5$ V, $V_{ON}=\text{High/Low}$		2		μs
I_{RCB}	RCB Current	$V_{ON}=0$ V, $V_{OUT}=5.5$ V,		7		μA
t_{HOCP}	Hard Over-Current Response Time	Moderate Over-Current Condition, $I_{OUT} \geq I_{LIM}$, $V_{OUT}=0$ V		6		μs
t_{OCP}	Over-Current Response Time	Moderate Over-Current Condition, $I_{OUT} \geq I_{LIM}$, $V_{OUT} \leq V_{IN}$		7		μs
t_{OC_FLAG}	Over-Current Flag Response Time	When Over-Current Occurs to Flag Pulling LOW		8		ms
TSD	Thermal Shutdown	Shutdown Threshold		150		$^\circ\text{C}$
		Return from Shutdown		130		
		Hysteresis		20		
Dynamic Characteristics						
t_{DON}	Turn-On Delay ^(6,7)	$V_{IN}=5$ V, $R_L=100$ Ω , $C_L=1$ μF , $T_A=25^\circ\text{C}$, $R_{SET}=2040$ Ω		0.67		ms
t_R	V_{OUT} Rise Time ^(6,7)			0.69		ms
t_{ON}	Turn-On Time ^(6,8)			1.36		ms
t_{DOFF}	Turn-Off Delay ^(7,6)			0.01		ms
t_F	V_{OUT} Fall Time ^(7,6)			0.22		ms
t_{OFF}	Turn-Off Time ^(9,6)			0.23		ms
t_{DON}	Turn-On Delay ^(7,10)	$V_{IN}=5$ V, $R_L=3.8$ Ω , $C_L=10$ μF , $T_A=-40$ to 85°C , $R_{SET}=634$ Ω		0.65	0.78	ms
t_R	V_{OUT} Rise Time ^(7,10)			0.65	0.82	ms
t_{ON}	Turn-On Time ^(8,10)			1.3	1.6	ms
t_{DOFF}	Turn-Off Delay ^(7,10)			4	10	μs
t_F	V_{OUT} Fall Time ^(7,10)			76	120	μs
t_{OFF}	Turn-Off Time ^(9,10)			80	130	μs

Notes:

- Characterization based on 1% tolerance resistor.
- This parameter is guaranteed by design and characterization; not production tested.
- $t_{DON}/t_{DOFF}/t_R/t_F$ are defined in Figure 5 below.
- $t_{ON}=t_R + t_{DON}$.
- $t_{OFF}=t_F + t_{DOFF}$.
- This parameter is guaranteed by design.

Timing Diagram



where:

t_{DON} = Delay On Time
 t_r = V_{OUT} Rise Time
 t_{ON} = Turn-On Time
 t_{DOFF} = Delay Off Time
 t_f = V_{OUT} Fall Time
 t_{OFF} = Turn Off Time

Figure 5. Timing Diagram

Operation and Application Description

Input Capacitor

To limit the voltage drop on the input supply caused by transient inrush current when the switch turns on into discharge load capacitor; a capacitor must be placed in between the V_{IN} and GND pins. A high-value capacitor on C_{IN} can be used to reduce the voltage drop in high-current applications.

Output Capacitor

An output capacitor should be placed between the V_{OUT} and GND pins. This capacitor prevents parasitic board inductance from forcing V_{OUT} below GND when the switch is on. This capacitor also prevents reverse inrush current from creating a voltage spike that could damage the device in the case of a V_{OUT} short.

Fault Reporting

Upon the detection of an over-current, OC_FLAGB signal the fault by activating LOW.

Current Limiting

The current limit ensures that the current through the switch does not exceed the maximum set value, while not limiting the minimum value. The current at which the part's limit is adjustable through the selection of the external resistor connected to the ISET pin. Information for selecting the resistor is found in the section below. The device acts as a constant-current source when the load draws more than the maximum value set by the device until thermal shutdown occurs. The device recovers if the die temperature drops below the threshold temperature.

Under-Voltage Lockout (UVLO)

The under-voltage lockout turns the switch off if the input voltage drops below the lockout threshold. With the ON pin active, the input voltage rising above the UVLO threshold releases the lockout and enables the switch.

True Reverse-Current Blocking

The true reverse-current blocking feature protects the input source against current flow from output to input regardless of whether the load switch is on or off.

Thermal Shutdown

The thermal shutdown protects the die from internally or externally generated excessive temperature. During an over-temperature condition, the switch is turned off. The switch automatically turns on again if the temperature of the die drops below the threshold temperature.

Setting Current Limit

The current limit is set with an external resistor connected between the I_{SET} and GND pins. The resistor is selected using Table 1. Resistor tolerance of 1% or less is recommended.

Table 1. Current Limit Settings by R_{SET} ⁽¹¹⁾

R _{SET} Ω	Min. Current Limit (mA)	Typ. Current Limit (mA)	Max. Current Limit (mA)
528	1800	2000	2200
604	1570	1750	1920
680	1350	1500	1650
866	1125	1250	1375
1070	900	1000	1100
1200	810	900	990
1330	720	800	880
1500	630	700	770
1740	540	600	660
2100	450	500	550
2320	405	450	495
2550	360	400	440
2940	315	350	385
3400	370	300	330
4020	225	250	275
4990	180	200	220
6490	135	150	165
9530	90	100	110
20000	42	50	58

Note:

11. Table values based on 1% tolerance resistor.
12. For 50 mA setting, tolerance is ±15% with 1%.

Board Layout

For best performance, all traces should be as short as possible. To be most effective, the input and output capacitors should be placed close to the device to minimize the effect that parasitic trace inductance may have on normal and short-circuit operation. Using wide traces for VIN, VOUT, GND helps minimize parasitic electrical effects along with minimizing the case-to-ambient thermal impedance.

Typical Performance Characteristics

$T_A=25^{\circ}\text{C}$.



Figure 6. t_{ON} Response



Figure 7. OVP Response (Increase V_{OUT} to OVP Trip Point)



Figure 8. OC_FLAGB Response Time (Toggle R_{LOAD} from High to Low Resistance)



Figure 9. t_{OFF} Response



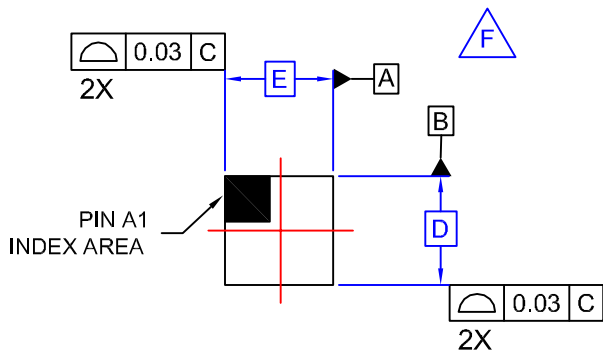
Figure 10. t_{OCPL} Response Time

Product-Specific Dimensions

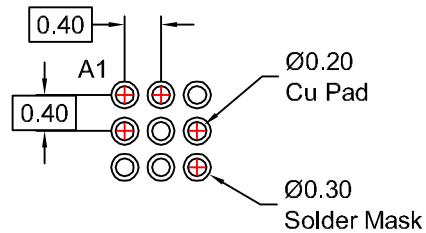
D	E	X	Y
1210 $\mu\text{m} \pm 30 \mu\text{m}$	1210 $\mu\text{m} \pm 30 \mu\text{m}$	205 μm	205 μm



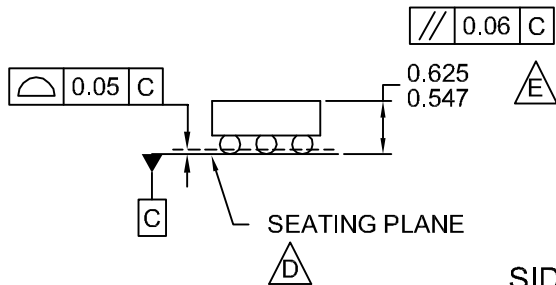
REVISIONS			
REV	DESCRIPTION	DATE	BY/SITE
1	INITIAL DRAWING RELEASE.	2-15-2008	L. ENGLAND/FSME
2	Updated land pattern to individual solder mask openings. Removed solder alloy note. Other misc updates for standardization.	4-9-2010	L. ENGLAND/FSME



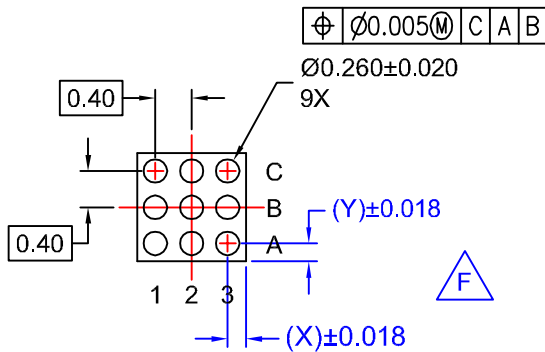
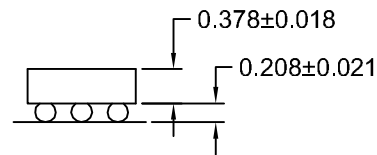
TOP VIEW



LAND PATTERN RECOMMENDATION
(NSMD PAD TYPE)



SIDE VIEWS



BOTTOM VIEW

NOTES:

- A. NO JEDEC REGISTRATION APPLIES.
- B. DIMENSIONS ARE IN MILLIMETERS.
- C. DIMENSIONS AND TOLERANCE PER ASMEY14.5M, 1994.
- D. DATUM C IS DEFINED BY THE SPHERICAL CROWNS OF THE BALLS.
- E. PACKAGE NOMINAL HEIGHT IS 586 MICRONS ±39 MICRONS (547-625 MICRONS).
- F. FOR DIMENSIONS D, E, X, AND Y SEE PRODUCT DATASHEET.
- G. DRAWING FILNAME: MKT-UC009ABrev2

APPROVALS		DATE			
DRAWN	L. England	4-9-10			
DFTG. CHK.	H. Allen	4-9-10			
ENGR. CHK.					
			9 BALL WLCSP, 3X3 ARRAY 0.4MM PITCH, 250UM BALL		
		SCALE	SIZE	DRAWING NUMBER	REV
		N/A	N/A	MKT-UC009AB	2
			DO NOT SCALE DRAWING	SHEET 1 of 1	

ON Semiconductor and  are trademarks of Semiconductor Components Industries, LLC dba ON Semiconductor or its subsidiaries in the United States and/or other countries. ON Semiconductor owns the rights to a number of patents, trademarks, copyrights, trade secrets, and other intellectual property. A listing of ON Semiconductor's product/patent coverage may be accessed at www.onsemi.com/site/pdf/Patent-Marking.pdf. ON Semiconductor reserves the right to make changes without further notice to any products herein. ON Semiconductor makes no warranty, representation or guarantee regarding the suitability of its products for any particular purpose, nor does ON Semiconductor assume any liability arising out of the application or use of any product or circuit, and specifically disclaims any and all liability, including without limitation special, consequential or incidental damages. Buyer is responsible for its products and applications using ON Semiconductor products, including compliance with all laws, regulations and safety requirements or standards, regardless of any support or applications information provided by ON Semiconductor. "Typical" parameters which may be provided in ON Semiconductor data sheets and/or specifications can and do vary in different applications and actual performance may vary over time. All operating parameters, including "Typicals" must be validated for each customer application by customer's technical experts. ON Semiconductor does not convey any license under its patent rights nor the rights of others. ON Semiconductor products are not designed, intended, or authorized for use as a critical component in life support systems or any FDA Class 3 medical devices or medical devices with a same or similar classification in a foreign jurisdiction or any devices intended for implantation in the human body. Should Buyer purchase or use ON Semiconductor products for any such unintended or unauthorized application, Buyer shall indemnify and hold ON Semiconductor and its officers, employees, subsidiaries, affiliates, and distributors harmless against all claims, costs, damages, and expenses, and reasonable attorney fees arising out of, directly or indirectly, any claim of personal injury or death associated with such unintended or unauthorized use, even if such claim alleges that ON Semiconductor was negligent regarding the design or manufacture of the part. ON Semiconductor is an Equal Opportunity/Affirmative Action Employer. This literature is subject to all applicable copyright laws and is not for resale in any manner.

PUBLICATION ORDERING INFORMATION

LITERATURE FULFILLMENT:

Literature Distribution Center for ON Semiconductor
19521 E. 32nd Pkwy, Aurora, Colorado 80011 USA
Phone: 303-675-2175 or 800-344-3860 Toll Free USA/Canada
Fax: 303-675-2176 or 800-344-3867 Toll Free USA/Canada
Email: orderlit@onsemi.com

N. American Technical Support: 800-282-9855 Toll Free
USA/Canada
Europe, Middle East and Africa Technical Support:
Phone: 421 33 790 2910
Japan Customer Focus Center
Phone: 81-3-5817-1050

ON Semiconductor Website: www.onsemi.com
Order Literature: <http://www.onsemi.com/orderlit>
For additional information, please contact your local
Sales Representative