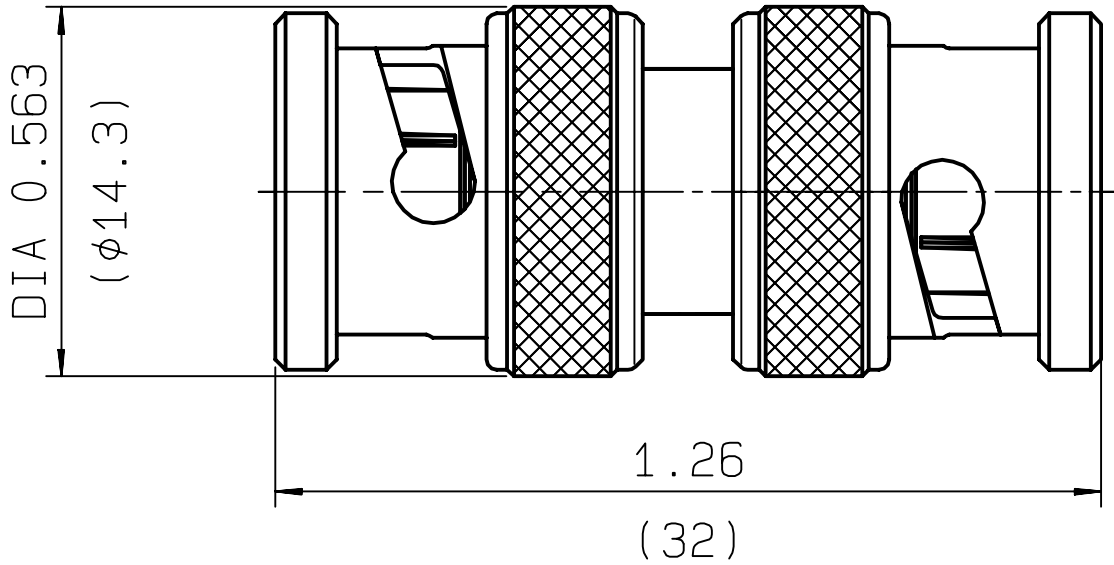


MALE-MALE ADAPTOR

R141.703.000
SERIES BNC



| | |
|---------------------------------|----------------------------------|
| NOMINAL IMPEDANCE | 50 Ω |
| FREQUENCY RANGE | 0-4 GHz |
| TEMPERATURE RATING | -65/+165 °C |
| V.S.W.R | 1.25 + x F(GHz)Maxi |
| RF INSERTION LOSS | 0.115 √F(GHz) dB Maxi |
| VOLTAGE RATING | 500 Veff Maxi |
| DIELECTRIC WITHSTANDING VOLTAGE | 1500 Veff Mini |
| INSULATION RESISTANCE | 5000 MΩMini |
| HERMETIC SEAL | NA Atm.cm ³ /s |
| LEAKAGE (pressurized only) | NA |
| MECHANICAL DURABILITY | 500 Cycles |
| WEIGHT | 18 gr |
| SPECIFICATION | |

| | |
|----------------------------|----------------------|
| CABLES : | |
| OTHERS CHARACTERISTICS | |
| CABLE RETENTION | NA N Mini |
| CENTER CONTACT RETENTION | |
| Axial force - mating end | 18 N Mini |
| Axial force - opposite end | 18 N Mini |
| Torque | 2.8 cm.N Mini |
| RECOMMENDED TORQUES | |
| Mating | NA cm.N |
| Panel nut | NA cm.N |
| Clamp nut | NA cm.N |

| CONNECTOR PARTS | MATERIALS | FINISH | (all values are given) in micrometers |
|-----------------|-----------------|------------------------|---|
| BODY | BRASS | NICKEL 2 | |
| OUTER CONTACT | | NICKEL 2 | |
| CENTER CONTACT | BRASS | GOLD 0.5 OVER NICKEL 2 | |
| INSULATOR | PTFE | - | |
| GASKET | SILICONE RUBBER | - | |
| OTHERS PIECES | BRASS | NICKEL 2 | |

| | | |
|-------------------------|---------------|------------------|
| ISSUE 9848V01 | CREATION DATE | FILE PART-NUMBER |
|-------------------------|---------------|------------------|



TRIQUES

The information given here is subject to change without notice.
 Design changes may be in order to improve the product .

Connect to the future