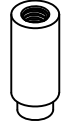
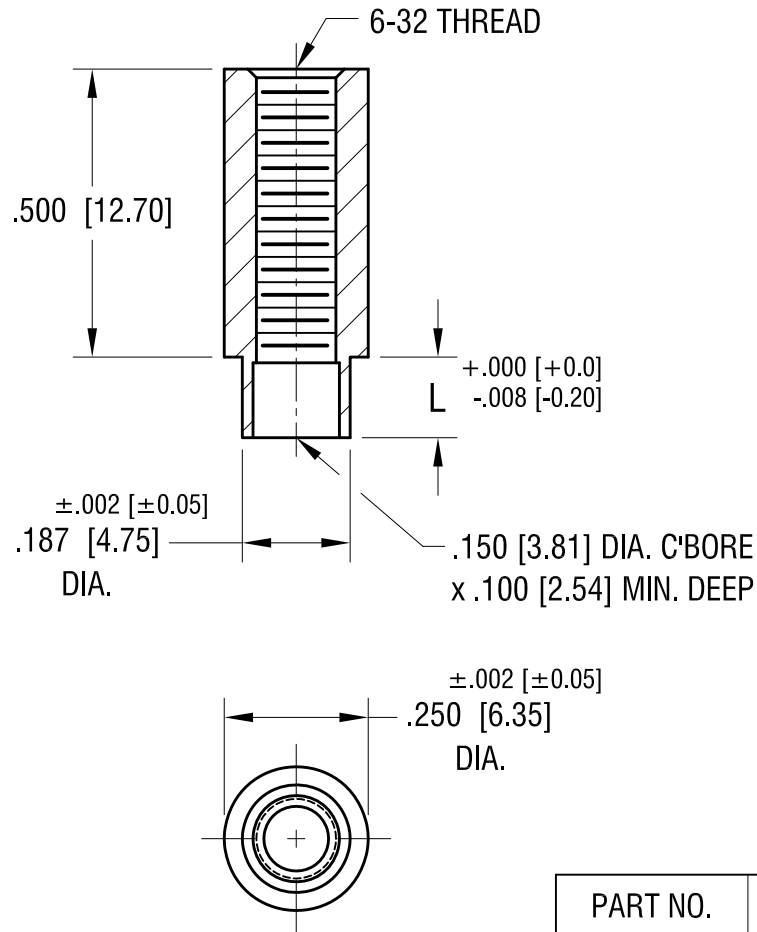


THIS DOCUMENT IS THE PROPERTY OF  
KEYSTONE ELECTRONICS CORP. AND  
SHALL NOT BE REPRODUCED, DISTRIBUTED  
OR USED AS A BASIS FOR MANUFACTURE  
WITHOUT PRIOR WRITTEN PERMISSION  
FROM KEYSTONE ELECTRONICS CORP.

ACTUAL SIZE



P/N 1604-2



PART NO.	'L' DIM.
1604-2	.109 [2.77]
1604-3	.140 [3.56]
1604-4	.171 [4.34]

11.22.21	CHANGE AS PER ECN 21-169	B
5.14.02	CHANGE AS PER ECN 02-044	A
DATE	DESCRIPTION	REV.

<b>KEYSTONE ELECTRONICS CORP.</b>			
www.keyelco.com • NEW HYDE PARK NY 11040 • Tel (516)328-7500			
PART NAME <b>SWAGE THREADED STANDOFF</b>			
MATERIAL <b>BRASS</b>			
FINISH	<b>DUCTILE NICKEL PLATE</b>	DRN BY	<b>BOONE</b>
		APP'D	<b>LN</b>
		DATE	<b>9.6.96</b>
		SCALE	<b>3X</b>
TOLERANCES	INCH [MM]	CODE	DWG NO.
DECIMAL	<b>± .005 [± 0.13]</b>	<b>C</b>	<b>1604-</b>
ANGULAR	<b>± 1°</b>		
UNLESS OTHERWISE SPECIFIED			