

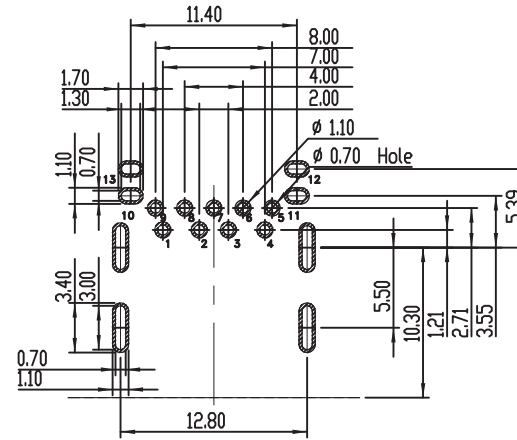
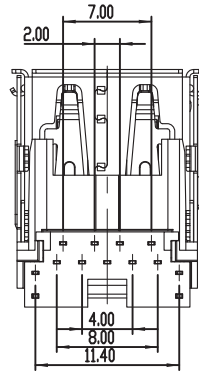
1

2

3

4

5



PCB LAYOUT - COMPONENT VIEW  
RECOMMENDED PCB THICKNESS : 1.60 mm

#### TECHNICAL CHARACTERISTICS

**MATERIAL**  
INSULATOR: PA9T  
FLAMMABILITY RATING: UL94-V0  
COLOR: BLUE  
CONTACT MATERIAL: COPPER ALLOY  
CONTACT PLATING: GOLD OVER Pd-Ni  
CONTACT AREA: 30μ" Pd-Ni+2μ" Gold  
SOLDER TAIL AREA: 100 to 200 μ" Tin  
QUALITY CLASS: 5 000 MATING CYCLES

**ENVIRONMENTAL**  
OPERATING TEMPERATURE: -20°C UP TO +85°C  
COMPLIANCE: LEAD FREE & ROHS

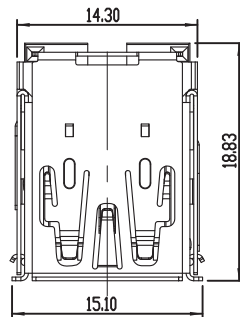
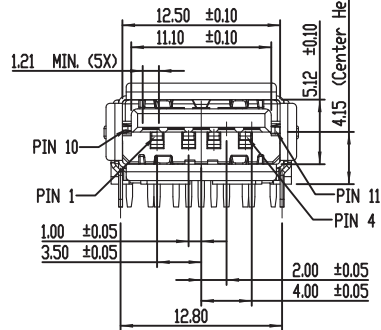
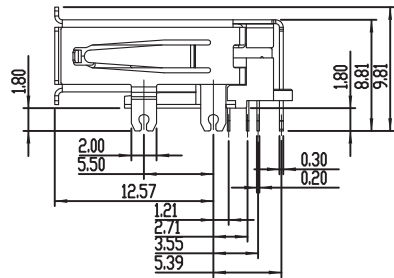
**ELECTRICAL**  
CURRENT RATING: 5 A MAX  
WORKING VOLTAGE: 20 VDC MAX  
DIELECTRIC WITHSTANDING VOLTAGE: 100 VAC/MIN  
INSULATION RESISTANCE: > 100 MΩ  
CONTACT RESISTANCE:  
- PIN 1 & PIN 4: 30 mΩ MAX  
- OTHER PINS: 50 mΩ MAX

**MECHANICAL**  
INSERTION FORCE: 35.0N MAX  
EXTRACTION FORCE: 10.0N MIN

**SOLDERING**  
JEDEC LEAD FREE WAVE & REFLOW SOLDERING PROCESS

**PACKAGING**  
TRAY

Pin Number	Signal Name
1	VBUS
2	D-
3	D+
4	GND
5	StdA_SSRX-
6	StdA_SSRX+
7	GND_DRAIN
8	StdA_SSTX-
9	StdA_SSTX+
10	PD DETECT
11	INSERTION DETECT
12	SHELL (Shield)
13	SHELL (Shield)



RoHS Compliant

PROJECTION:



GENERAL TOLERANCE

.X = +/- 0.2

.XX = +/- 0.15



APPROVAL: NPr

UNIT: MM

SCALE:

SHEET: 1/4

DRAW: AK

DESCRIPTION: USB3.1 TYPE A RECEPTACLE - HORIZONTAL THT - POWER DELIVERY

WERI PART NO: 632 121 300 001

SIZE

**A4**

REV	DATE	FILE	BY
G			
F			
E			
D	21-OCT-15	SOLDERING	AK
C	15-SEP-15	UPDATE	AK
B	08-SEP-15	QUALITY CLASS	AK
A	09-JUN-15	PDF	AK

1

2

3

4

5

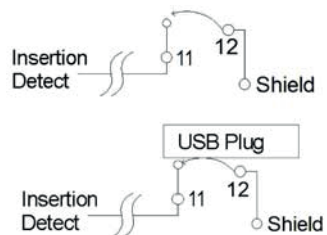
A

B

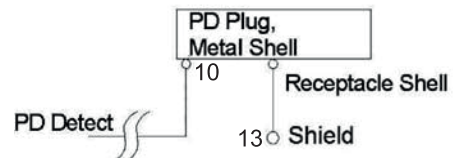
C

D

Standard-A Insertion Detect Schematic Representation



PD Plug Standard-A Detection Circuit



RoHS Compliant

G			
F			
E			
D			
C			
B			
A			
REV	DATE	FILE	BY

PROJECTION:

GENERAL TOLERANCE  
 .X = +/- 0.2  
 .XX = +/- 0.15

**WÜRTH ELEKTRONIK**

APPROVAL: NPr

UNIT: MM  
 SCALE:  
 SHEET: 2/4  
 DRAW: AK

DESCRIPTION: USB3.1 TYPE A RECEPTACLE - HORIZONTAL THT - POWER DELIVERY  
 WERI PART NO: 632 121 300 001

SIZE  
**A4**

1

2

3

4

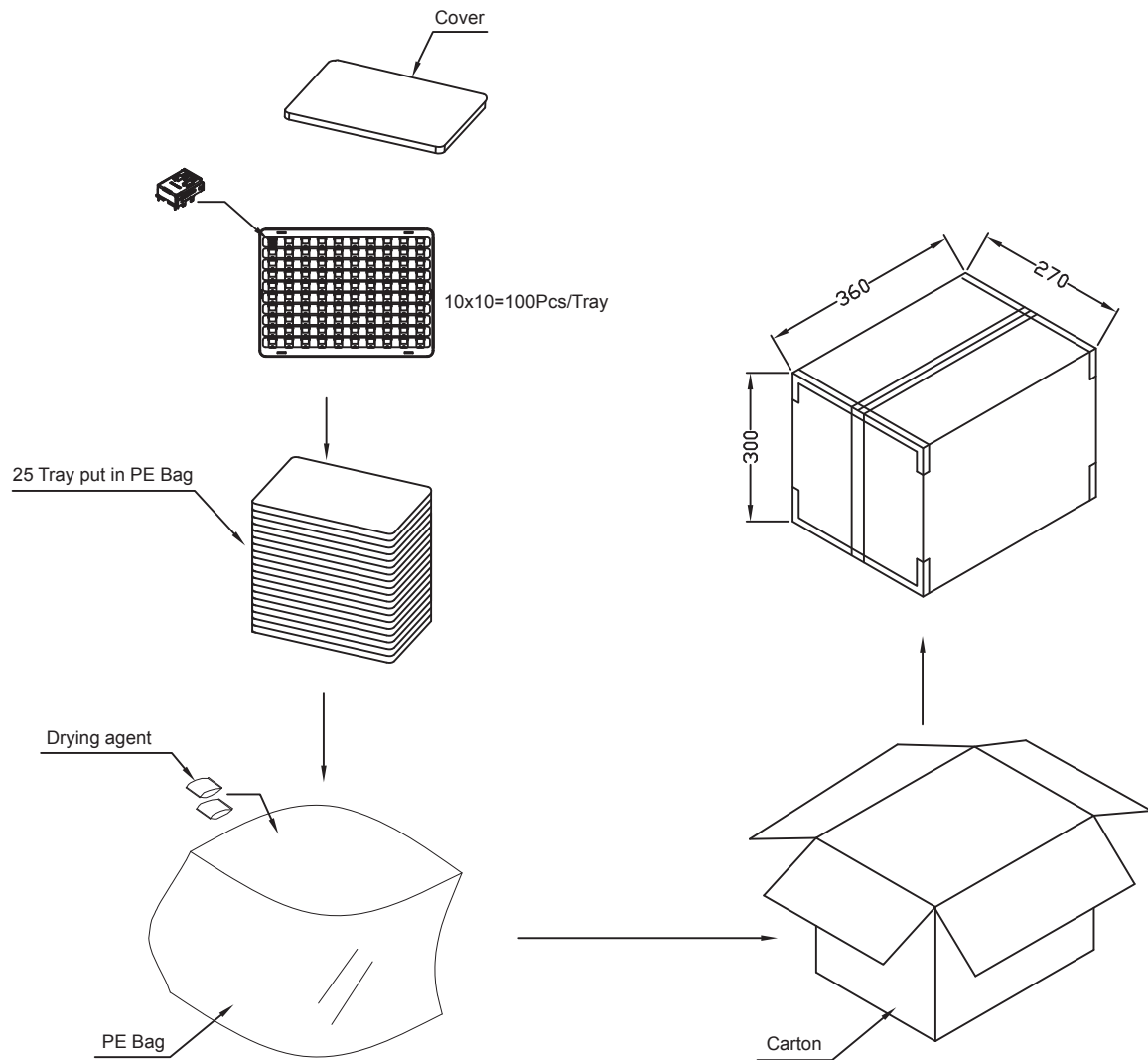
5

A

B

C

D



100 pcs/tray  
 25 trays/carton  
 2500 pcs/carton

RoHS Compliant			
G			
F			
E			
D			
C			
B			
A			
REV	DATE	FILE	BY

PROJECTION:

GENERAL TOLERANCE  
 .X = +/- 0.2  
 .XX = +/- 0.15



APPROVAL: NPr

UNIT: MM  
 SCALE:  
 SHEET: 3/4  
 DRAW: AK

DESCRIPTION: USB3.1 TYPE A RECEPTACLE - HORIZONTAL THT - POWER DELIVERY  
 WERI PART NO: 632 121 300 001

SIZE  
**A4**

1

2

3

4

5

## Cautions and Warnings:

This electronic component is designed and developed with the intention for use in general electronics equipments.

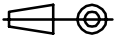

Before incorporating the components into any equipments in the field such as aerospace, aviation, nuclear control, submarine, transportation, (automotive control, train control, ship control), transportation signal, disaster prevention, medical, public information network etc. where higher safety and reliability are especially required or if there is possibility of direct damage or injury to human body, Würth Elektronik must be asked for a written approval.

In addition, even electronic component in general electronic equipments, when used in electrical circuits that require high safety, reliability functions or performance, the sufficient reliability evaluation-check for the safety must be performed before by the user before usage.

A

B

C

RoHS Compliant				PROJECTION: 	GENERAL TOLERANCE .X = +/- 0.2 .XX = +/- 0.15		DESCRIPTION: DISCLAIMER	SIZE <b>A4</b>
G								
F								
E								
D								
C				APPROVAL: JC	UNIT: MM	WERI PART NO: DISCLAIMER	SIZE <b>A4</b>	
B					SCALE:			
A	10-SEP-14	PDF	QL		SHEET: 4/4			
REV	DATE	FILE	BY		DRAW: QL			

D