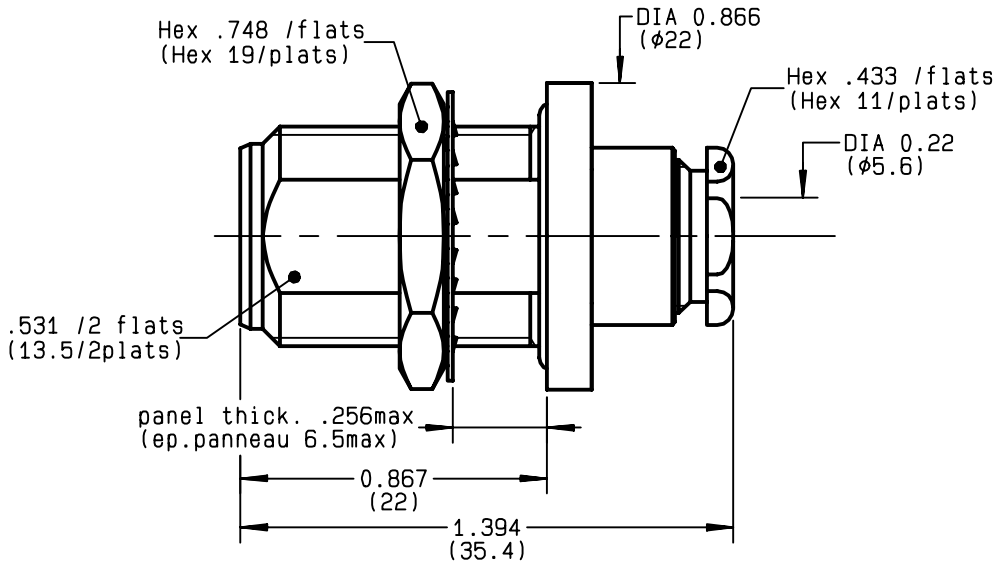


**STRAIGHT BULKHEAD JACK PANEL SEAL
CLAMP TYPE - CABLE 5/50 S+D**

R161.325.000
SERIES N



PERCAGE PANNEAU
MOUNTING HOLE

	MM		INCH	
	maxi	mini	maxi	mini
A	16.1	16	0.634	0.63
B	13.7	13.6	0.539	0.535

NOMINAL IMPEDANCE	50	Ω
FREQUENCY RANGE	0-11	GHz
TEMPERATURE RATING	-55/+155	°C
V.S.W.R	1.30 +	x F(GHz)Maxi
RF INSERTION LOSS	0.048	√F(GHz) dB Maxi
VOLTAGE RATING	850	Veff Maxi
DIELECTRIC WITHSTANDING VOLTAGE	1500	Veff Mini
INSULATION RESISTANCE	5000	M ΩMini
HERMETIC SEAL	NA	Atm.cm ³ /s
LEAKAGE (pressurized only)	IP 67	
MECHANICAL DURABILITY	500	Cycles
WEIGHT	39	gr
SPECIFICATION		

- CABLES : **KX 15**
KX 23
RG 141
RG 142
RG 142 FTX
RG 223
RG 400
RG 58

OTHERS CHARACTERISTICS

CABLE RETENTION	150	N Mini
CENTER CONTACT RETENTION		
Axial force - mating end	27	N Mini
Axial force - opposite end	27	N Mini
Torque	NA	cm.N Mini
RECOMMENDED TORQUES		
Mating	NA	cm.N
Panel nut	500	cm.N
Clamp nut	450	cm.N

CONNECTOR PARTS	MATERIALS	FINISH	(all values are given in micrometers)
BODY	BRASS	BBR 2	
OUTER CONTACT	BRASS	BBR 2	
CENTER CONTACT	BERYLLIUM COPPER	GOLD 0.5 OVER NICKEL 2	
INSULATOR	PTFE	-	
GASKET	SILICONE RUBBER	-	
OTHERS PIECES	BRASS	BBR 2	

ISSUE	CREATION DATE	FILE PART-NUMBER
9734R02	03/02/1993	EPC 96-07



BONMINI

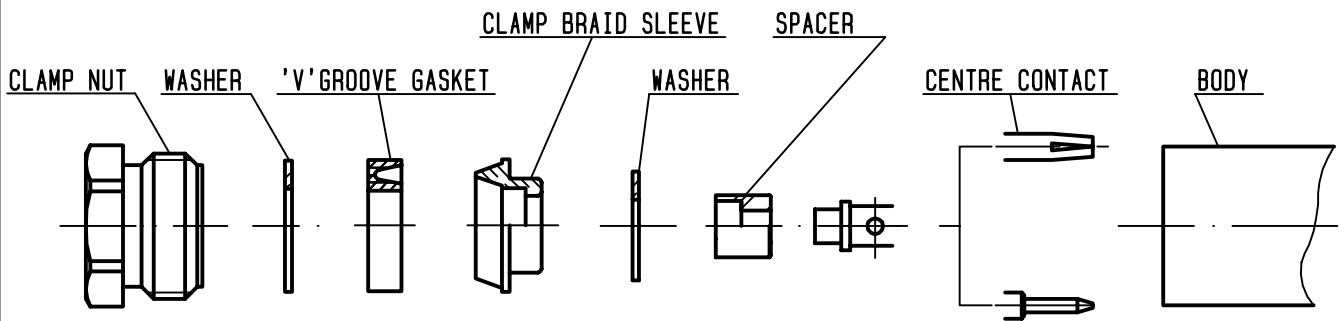
The information given here is subject to change without notice. Design changes may be in order to improve the product .

Connect to the future



R161.325.000

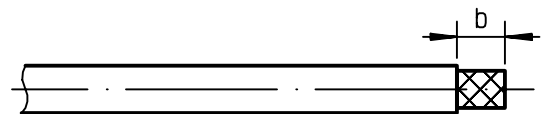
ISSUE 9734R02 SERIES N



①

Strip the cable .

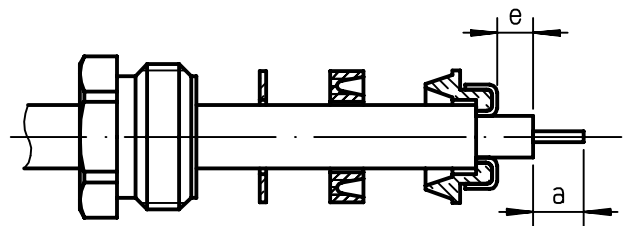
-
-
-
-



Stripping	a	b	c	d	e
inch	0.157	0.295	0	0	0.039
mm	4	7.5			1

②

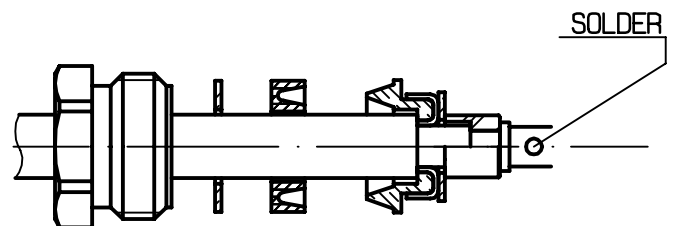
Slide the clamp nut , the washer and the 'V'groove gasket onto the cable .
Slide clamp braid sleeve over braid .
Fold back braid and trim off surplus braid .
Trim back dielectric as shown .



③

Slide the washer and the spacer onto the dielectric .
Solder the cable inner conductor into centre contact .

-



④

Screw sub-assembly into the connector body .
(recommended coupling torque 39.83 in.lb)

-
-

