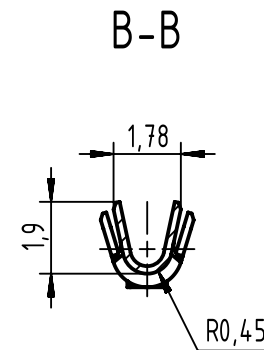
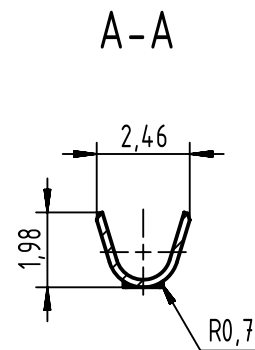
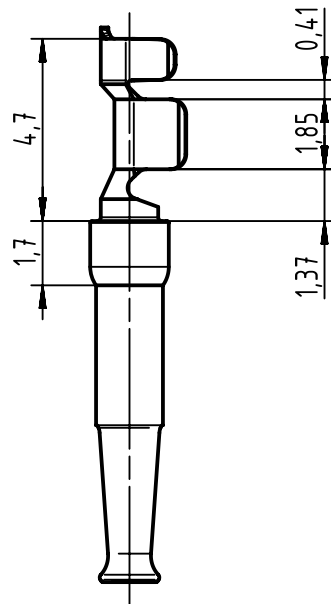
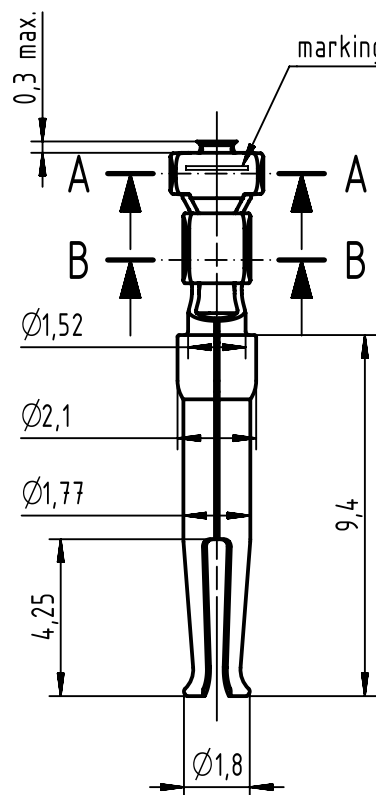


1 2 3 4 5 6

A
B
C
D



Base material: bronze
 Plating: sliding contact selective plating over nickel
 nickel plated crimp contact area
 Number of contacts per bag: 500



All Dimensions in mm Original Size DIN A4		Scale 5:1	Free size tol.		Ref.
All rights reserved Department EL PD		Created by ZHUANGJ	Inspected by LUOK	Standardisation HOFFMANN	Sub.
HARTING Electronics GmbH D-32339 Espelkamp		Date 2019-11-25		State Final Release	
Title D-Sub, stamped female AWG 20-24 crimp contact		Doc-Key / ECM-Nr. 100552269/UGD/002/C 500000161495		Rev. C Page 1/1	
Type TB Number 0967000827X					

09 67 000 8278	PL2	PdNi
09 67 000 8277	PL3	Flash Gold
09 67 000 8276	PL1	PdNi
Part number	Performance level	Plating