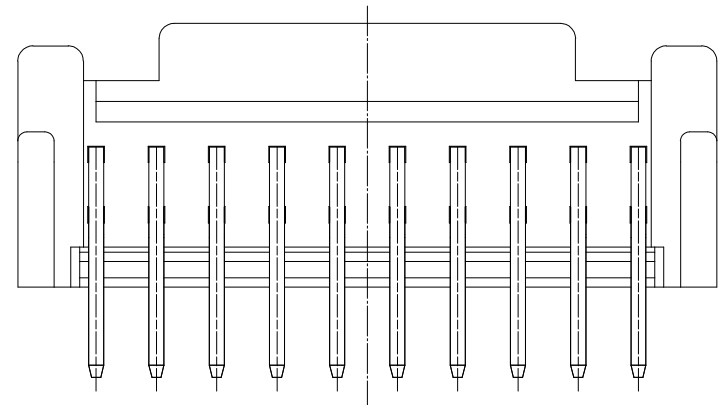
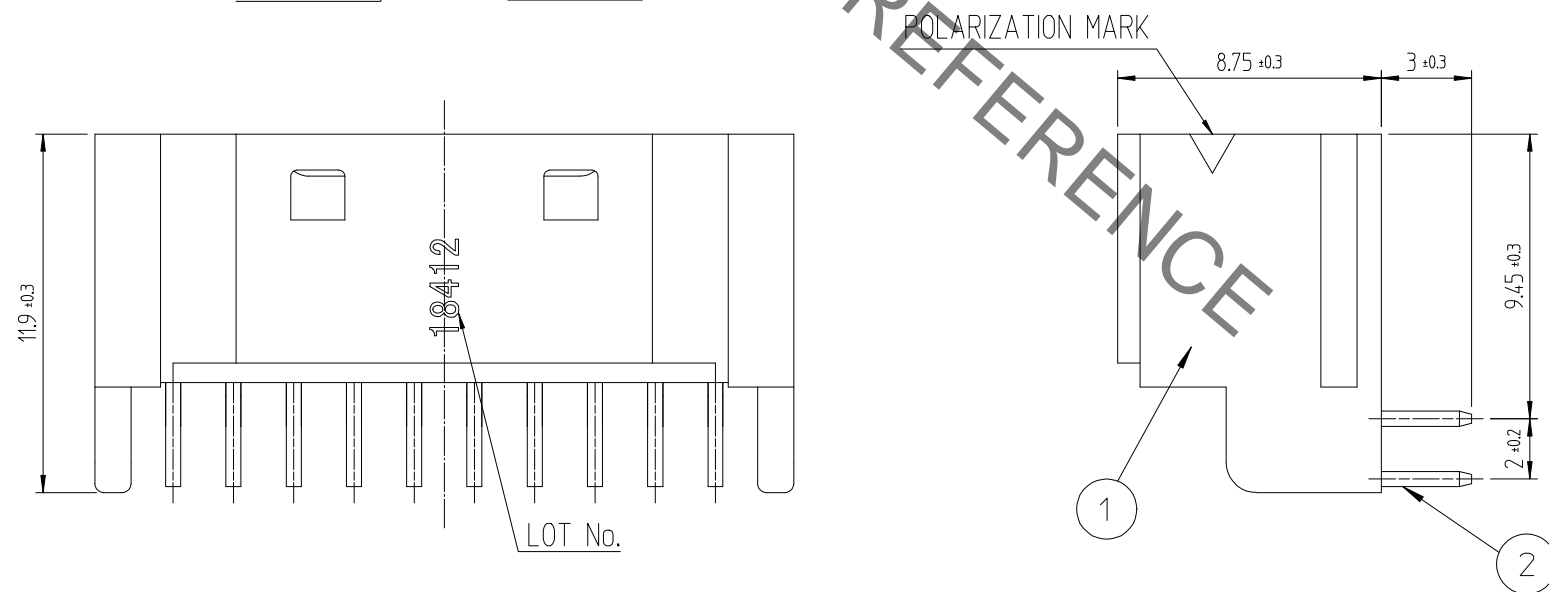
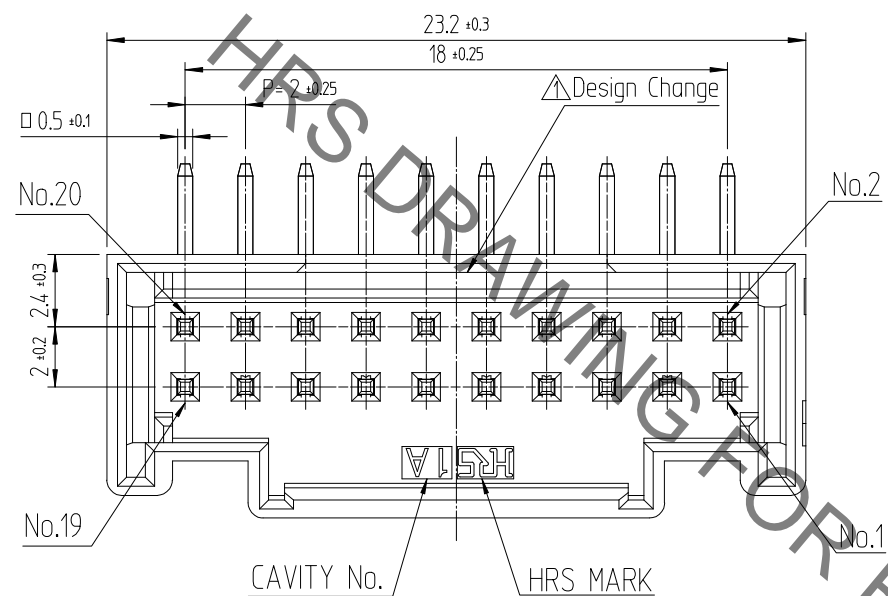


In case of consideration for using Automotive equipment / device which demand high reliability, kindly contact our sales window.

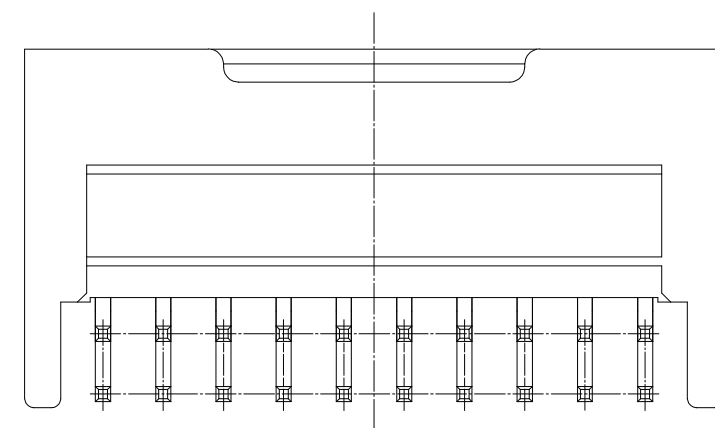
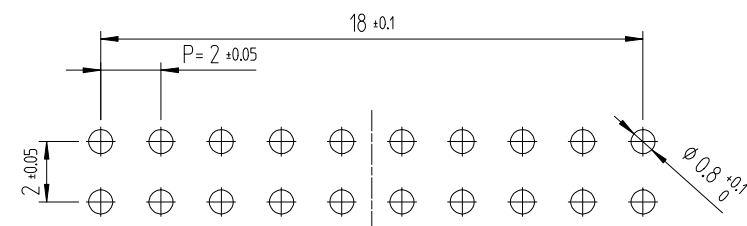
△數 COUNT	訂正事項 DESCRIPTION OF REVISIONS	擔當 B Y	檢圖 CHKD	年月日 DATE	△數 COUNT	訂正事項 DESCRIPTION OF REVISIONS	擔當 B Y	檢圖 CHKD	年月日 DATE
1	RE-6-1150	K.I.Y	L.S.M	18. 07. 04					
2	RE-6-1579	K.I.Y	L.S.M	20. 01. 23					



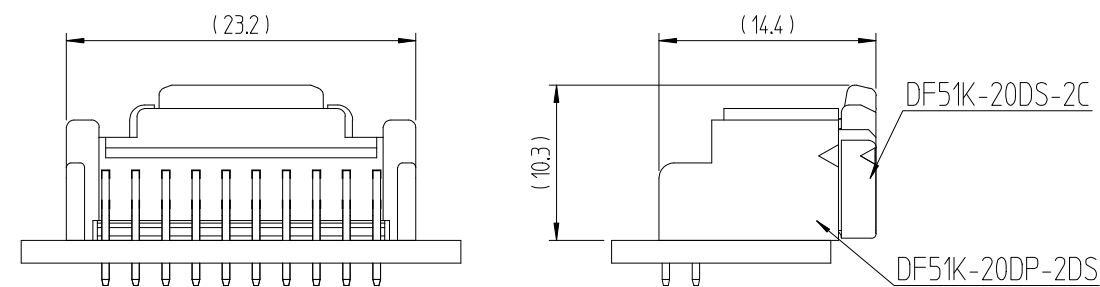
NOTE 1. 1PACK CONTAINS 130PCS.
 2. () DIMENSIONS ARE ONLY REFERENCE.
 △ 3. UL(File No. E132750) AUTHORIZATION ARTICLE.
 C-UL(File No. E132750) AUTHORIZATION ARTICLE.



RECOMMENDED LAND PATTERN (FREE)
 (PCB THICKNESS t=1.6mm)



ENGAGEMENT FIGURE (2:1)



NO.	MATERIAL	FINISH,REMARKS	NO.	MATERIAL	FINISH,REMARKS
1	PBT	UL94V-0, BLACK	2	BRASS	GOLD PLATING 0.1μm MIN, OVER NICKEL 0.5μm MIN

CODE NO. (OLD)	DRAWN	DESIGNED	CHECKED	APPROVED	RELEASED
	CHOI 18.03.02 J.S	CHOI 18.03.02 J.S	LIM 18.03.02 S.M	KANG 18.03.02 T.S	ENG 20.02.12 DEPT

SCALE	DRAWING NO.	PART NO.
4:1	EDC3-632484	DF51K-20DP-2DS (805)
UNITS	CODE NO.	
mm	CL 6652-0050-7-805	1/1