

PHYSICAL DIMENSIONS:

A	11.05	[.435]	+ 0.13	[.005]
B	10.03	[.395]	+ 0.15	[.006]
B ₁	11.05	[.435]	MAX	
C	9.32	[.367]	+ 0.15	[.006]
C ₁	10.49	[.413]	MAX.	
D	4.06	[.160]	+ 0.13	[.005]
E	2.54	[.100]	+ 0.13	[.005]

WIRE:

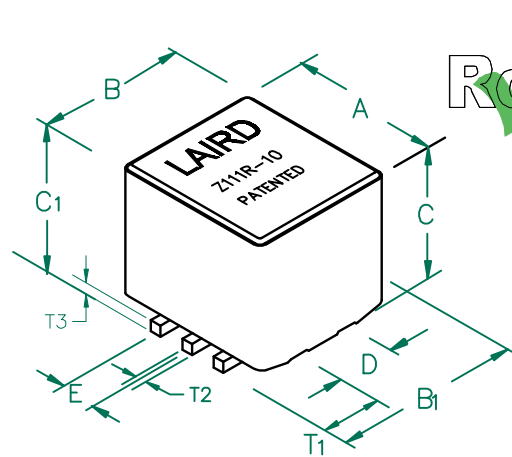
T ₁	3.56	[.140]	+ 0.25	[.010]
T ₂	0.76	[.030]	TYP.	
T ₃	0.76	[.030]	TYP.	

CM4440Z111R-10

UNCONTROLLED DOCUMENT



RoHS



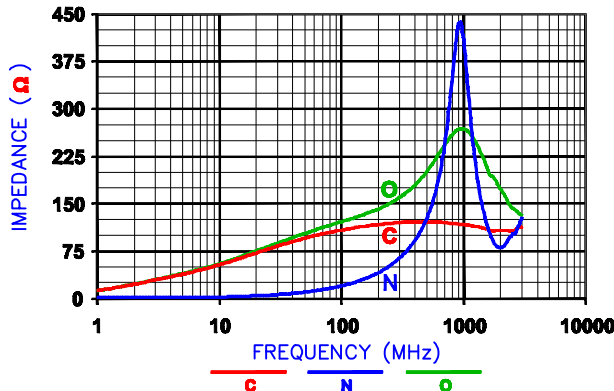
ELECTRICAL CHARACTERISTICS:

Z @ 100MHz (Ω)	DCR (Ω)	Rated Current
Nominal	110	
Minimum	83	
Maximum	-	.001
		20,000mA

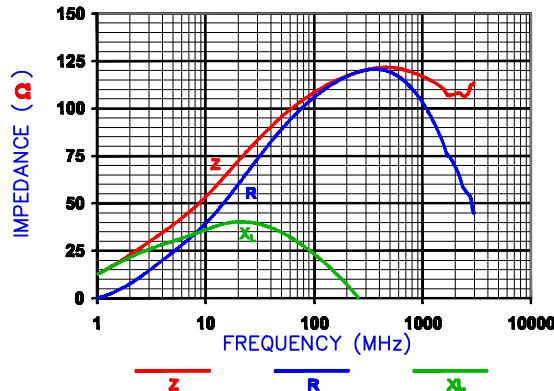
NOTES: UNLESS OTHERWISE SPECIFIED

1. TAPED AND REELED per CURRENT EIA SPECIFICATIONS 13" REELS, 375 PCS/REEL, EMBOSSED PLASTIC TAPE.
2. COMPONENTS SHOULD BE ADEQUATELY PREHEATED BEFORE SOLDERING.
3. TERMINATION FINISH IS 100% TIN.
4. THIS PART HAS NO PIN POLARITY.

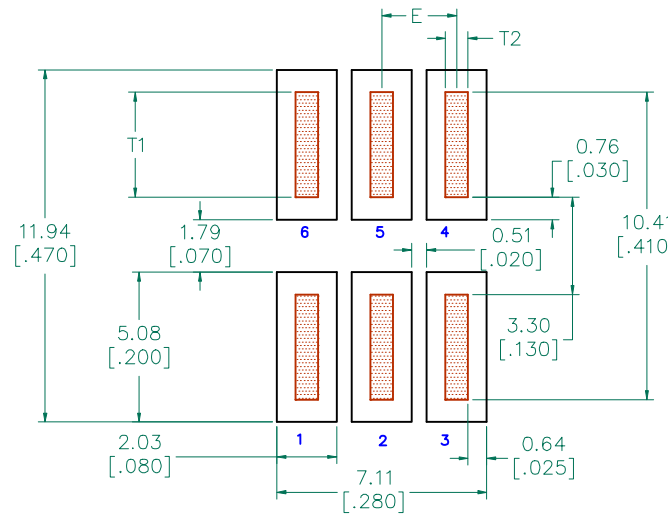
Z vs. FREQUENCY (C,N,O)



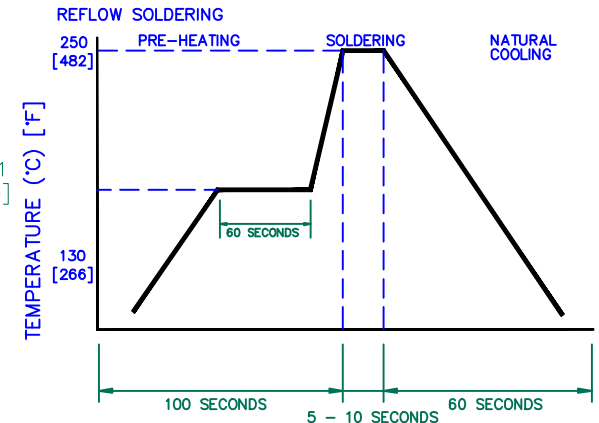
Z, R, XL vs. FREQUENCY



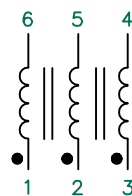
LAND PATTERNS FOR REFLOW SOLDERING



RECOMMENDED SOLDERING CONDITIONS



EQUIVALENT CIRCUIT



DIMENSIONS ARE IN mm [INCHES].

This print is the property of Laird Tech. and is loaned in confidence subject to return upon request and with the understanding that no copies shall be made without the written consent of Laird Tech. All rights to design or invention are reserved.



PROJECT/PART NUMBER:		REV		PART TYPE:		DRAWN BY:	
CM4440Z111R-10		B		ASSEMBLY		TMB	
B	UPDATE COMPANY LOGO & KAPTON LABEL	12/17/12	QIU	DATE:	12/07/07	SCALE:	NTS
A	ORIGINAL DRAFT	12/07/07	TMB	CAD #	CM4440Z111R-10-B-1	SHEET:	1 of 2
REV	DESCRIPTION	DATE	INT				