

**SEE PAGE 2 FOR DETAILS

WIRING SCHEMATIC

1	2
PIN	PIN
1 = BROWN	1 = RED
2 = WHITE	2 = GREEN
3 = BLUE	3 = BLACK
4 = BLACK	4 = WHITE

FPM12A04IYYAR0Y

INCHES ———

01 = WIRING SCHEMATIC 1
02 = WIRING SCHEMATIC 2

LENGTH
EX: 06 = 6 INCHES
12 = 12 INCHES

NOTE: PACKAGED 10 PER BAG

RoHS COMPLIANT

UNITS IN INCHES [MM] DO NOT SCALE FROM DRAWING



THESE DRAWINGS AND SPECIFICATIONS ARE THE PROPERTY OF NorComp AND SHALL NOT BE REPRODUCED, COPIED OR USED AS THE BASIS FOR THE MANUFACTURE OR SALE OF APPARATUS WITHOUT WRITTEN PERMISSION.

DRAWN:
G. BROWN
DATE:
01/23/2019

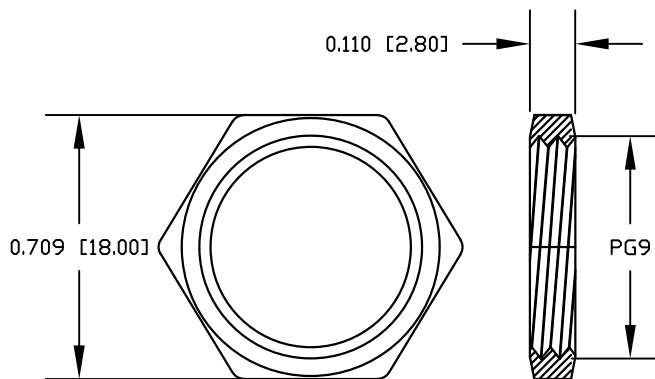
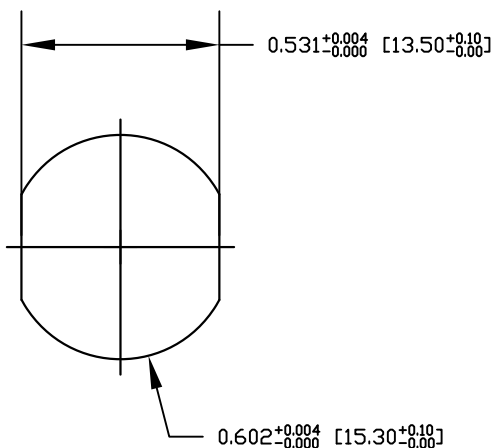
NorComp

SCALE: NTS	SHEET 1 OF 2	REV 3
DWG NO.		FPM12A04IYYAR0Y

DESCRIPTION: M12 4 POSITION BRASS FEMALE PIGTAIL

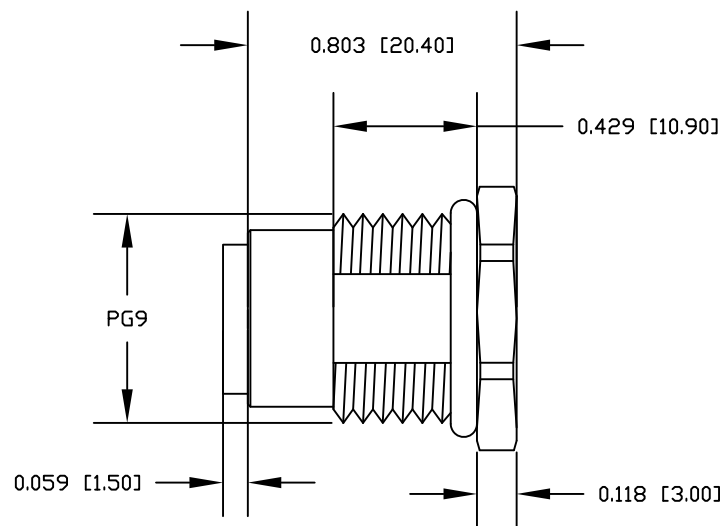
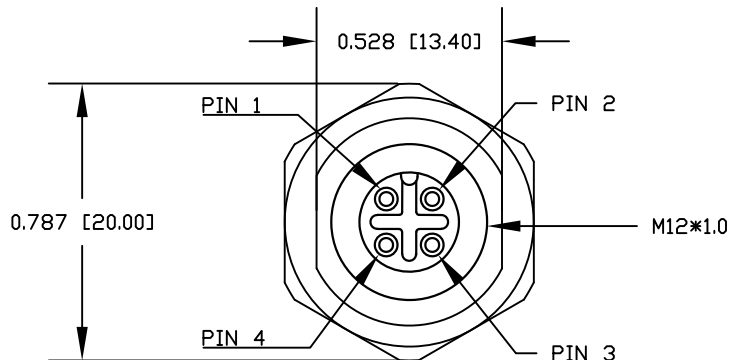
NOTE:

MATERIAL
 HOUSING: PBT UL94V-0, BLACK
 CONTACT: BRASS
 NUT: BRASS
 SHELL: BRASS
 O-RING: EPDM, BLACK
 FINISH
 CONTACT: GOLD PLATED, 10µ" Min.
 UNDER PLATE: NICKEL
 NUT: NICKEL PLATED
 SHELL: NICKEL PLATED
 ELECTRICAL
 RATED CURRENT: 4A
 RATED VOLTAGE: 250V
 INSULATION RESISTANCE: 100MΩ MIN
 CONTACT RESISTANCE: 10mΩ MAX
 WATER PROOF: IP67/68
 ENVIRONMENT
 OPERATION TEMPERATURE: -40°C ~ +85°C



NUT

RECOMMENDED PANEL CUT-OUT



RoHS COMPLIANT

UNITS IN INCHES [MM] DO NOT SCALE FROM DRAWING



THESE DRAWINGS AND SPECIFICATIONS ARE THE PROPERTY OF NorComp AND SHALL NOT BE REPRODUCED, COPIED OR USED AS THE BASIS FOR THE MANUFACTURE OR SALE OF APPARATUS WITHOUT WRITTEN PERMISSION.

DRAWN:
G. BROWN
 DATE:
 01/23/2019

NorComp

SCALE: NTS	SHEET 2	OF 2	REV 3
DWG NO. FPM12A04IYYAR0Y			