

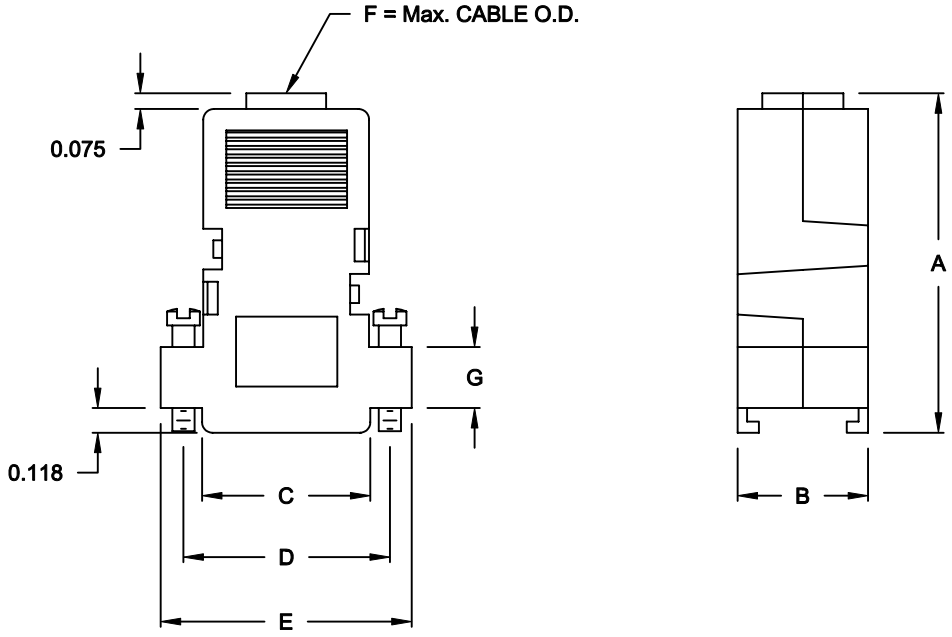
DESCRIPTION: STRAIGHT, SNAP TOGETHER - BLACK & GRAY PLASTIC

SPECIFICATIONS:

MATERIAL: ABS UL94-HB
 COLOR: BLACK OR GRAY

BACKSHELL KIT INCLUDES:

- (2) BACKSHELL HALVES
- (1) STRAIN RELIEF CLAMP (2-PARTS)
- (2) JACKSCREWS



956-YYY-010RYY1

SERIES _____
 POSITIONS _____
 009 _____
 015 _____
 025 _____
 MATERIAL _____
 010 = PLASTIC _____
 RoHS COMPLIANT _____
 COLOR _____
 01 = BLACK _____
 03 = GRAY _____
 PUT-UP _____
 1 = KIT _____

DIMENSIONS (IN.)

No. OF PINS	A	B	C	D	E	F	G
09	1.618	0.622	0.807	0.984	1.201	0.323	0.315
15	1.634	0.610	1.078	1.311	1.579	0.449	0.287
25	1.732	0.670	1.177	1.874	2.110	0.433	0.291

DO NOT SCALE FROM DRAWING



THESE DRAWINGS AND SPECIFICATIONS ARE THE PROPERTY OF NorComp AND SHALL NOT BE REPRODUCED, COPIED OR USED AS THE BASIS FOR THE MANUFACTURE OF SALE OF APPARATUS WITHOUT WRITTEN PERMISSION.

DRAWN: C. SMITH		DATE: 05-09-07	
CHECKED:		DATE:	
SCALE: 1:1	SHEET 1 OF 1	REV 0	
DWG NO. 956-YYY-010RYY1			

NorComp

RoHS COMPLIANT