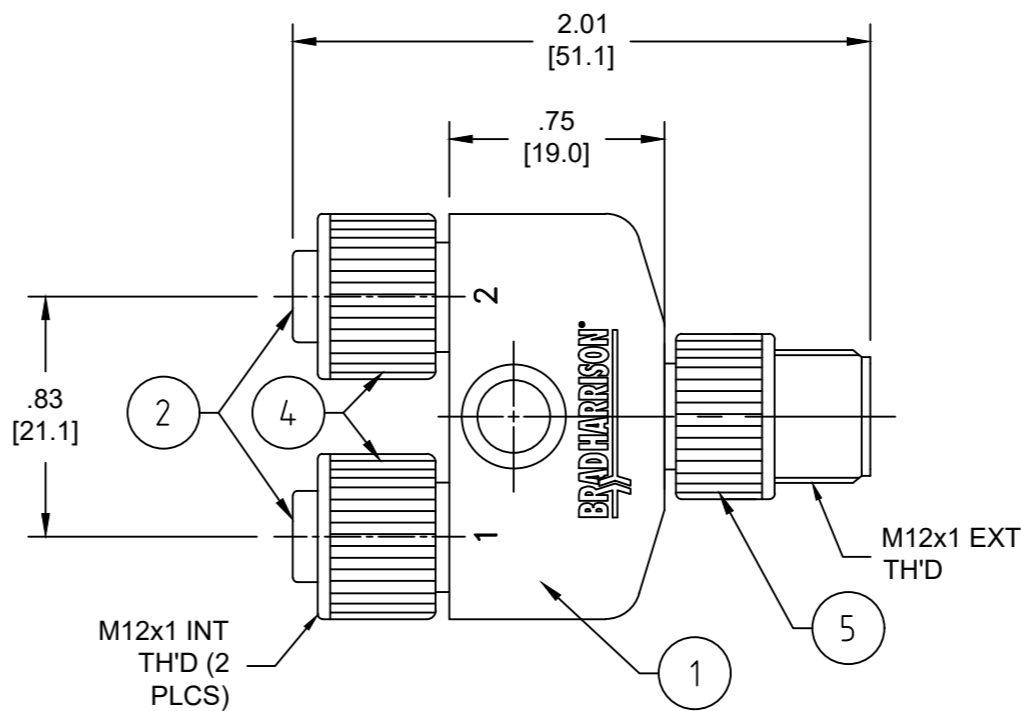
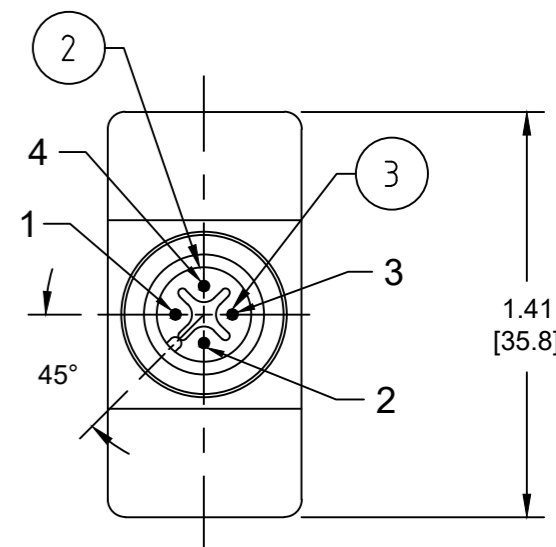


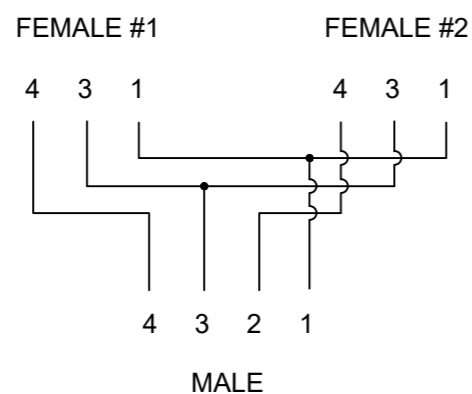
4 POLE FEMALES
FRONT VIEW



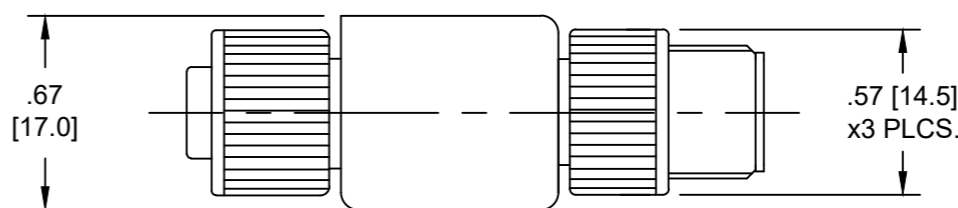
TOP VIEW



4 POLE MALE
FRONT VIEW



WIRE DIAGRAM



SIDE VIEW

NOTES: (A)

1. MATERIAL: AS NOTED
2. FINISH: AS NOTED
3. ELECTRICAL:
VOLTAGE: 24V
CURRENT: 4A
4. TEMP RATING: -20°C TO +80°C
5. PROTECTION: IP67 (WHEN MATED)
6. UL FILE: E152210
7. ALL DIMENSIONS ARE FOR REFERENCE
UNLESS TOLERANCED OR NOTED OTHERWISE

ITEM	COMPONENT	MATERIAL	FINISH
6	O-RING	VITON	RED
5	MALE COUPLING NUT	ZINC DIE CAST	BLACK E-COAT
4	FEMALE COUPLING NUT	ZINC DIE CAST	BLACK E-COAT
3	CONTACT	COPPER ALLOY	GOLD/NICKEL PLATED
2	INSERT	NYLON	BLACK
1	OVERMOLD	TPC	SEE TABLE

MATERIAL NUMBER	ENGINEERING NUMBER	OVERMOLD COLOR
1200680169	81590R	GREY
1200680170	81594R	YELLOW
1200680229	81590	GREY

FUNCTIONAL SYMBOLS $F_A=0$ $F_C=0$ $F_P=0$ DIVISIONAL SYMBOLS	THIS DRAWING CONTAINS INFORMATION THAT IS PROPRIETARY TO MOLEX ELECTRONIC TECHNOLOGIES, LLC AND SHOULD NOT BE USED WITHOUT WRITTEN PERMISSION				
	CURRENT REV DESC: UPDATED OVERMOLD MATERIAL. ADDED NOTES.				
	DIMENSION UNITS: INCH/MM SCALE: NTS GENERAL TOLERANCES (UNLESS SPECIFIED): 4 PLACES ±--- ±--- 3 PLACES ±--- ±0.005 2 PLACES ±0.13 ±0.01 1 PLACE ±0.25 ±0.02 0 PLACES ±--- ±--- ANGULAR TOL ± 0.5 °		EC NO: 669893 DRWN: ABENJAMINLW 2021/04/05 CHK'D: RSTONE 2021/07/12 APPR: BWOODMAN 2021/07/14		
	DRAFT WHERE APPLICABLE MUST REMAIN WITHIN DIMENSIONS		INITIAL REVISION: DRWN: BBRAUCH 2010/02/17 APPR: NSTAUDIG 2010/02/24		
THIRD ANGLE PROJECTION		DRAWING: B-SIZE		SERIES: 120068	
DOCUMENT STATUS: P1		RELEASE DATE: 2021/07/14 21:16:13		DOCUMENT NUMBER: SD-120068-034	
				DOC TYPE: PSD	
				DOC PART: 001	
				REVISION: A	
				MATERIAL NUMBER: SEE CHART	
				CUSTOMER: GENERAL MARKET	
				SHEET NUMBER: 1 OF 1	