

MICRO SWITCH

FREEPORT ILLINOIS, U.S.A
A DIVISION OF HONEYWELL
FED. MFG. CODE 91929

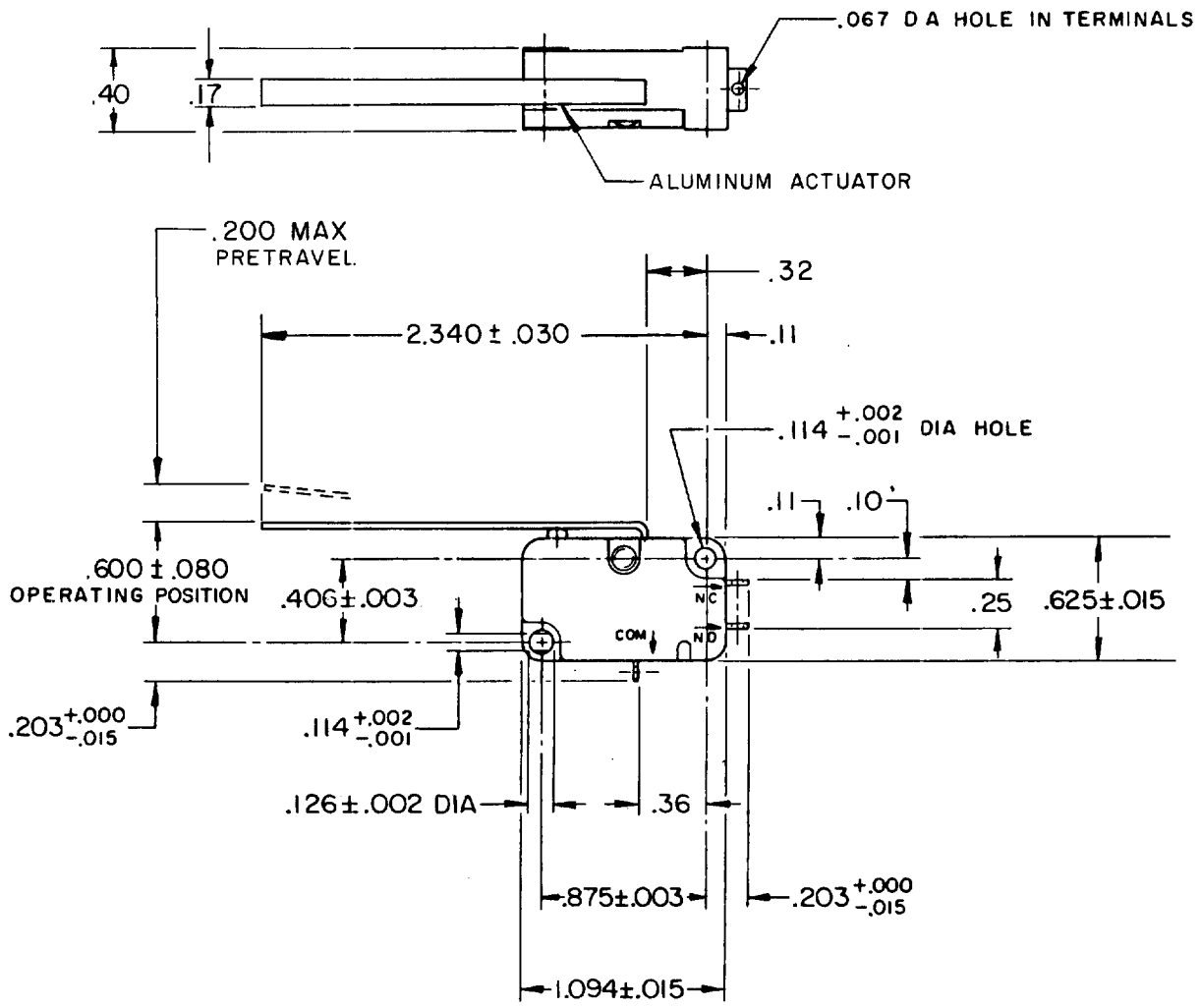
SWITCH - BASIC

CATALOG LISTING
V3L-2436

CQ-XI552

5

V3L-2436
 M
 DRAWING NUMBER
 28
 ISSUE
 4
 REVISIONS
 A PR-7605
 C E B
 20 JAN 79
 CO
 5992
 BMA
 29 SEPT 88
 C CO
 76448
 DCS
 28 JAN 94
 FO-52848-A
 DRAWN
 C J H 17 JAN 79
 CHECK
 C E B 20 JAN 79
 CHECK
 C E B 20 JAN 79
 CHECK
 RELEASE NO. PR-7605
 REPLACES



NOTE -
 - FORCE CHARACTERISTICS CHECKED WITH SWITCH LYING ON SIDE

THIS DRAWING COVERS A PROPRIETARY ITEM AND IS THE PROPERTY OF MICRO SWITCH, A DIVISION OF HONEYWELL. THIS DRAWING IS NOT TO BE COPIED OR USED WITHOUT THE APPROVAL OF MICRO SWITCH.

THIRD ANGLE PROJECTION

CHARACTERISTICS	
OPERATING FORCE	---7 GRAMS MAX
RELEASE TRAVEL	----- .030 MIN
DIFFERENTIAL TRAVEL	--- .055 MAX
OVERTRAVEL	----- .160 MIN

ELECTRICAL DATA	
CONTACT ARRANGEMENT S P D T	
L162 5A-125, 250, 277VAC 1/10HP-250VAC 	

SCALE FULL			
DO NOT SCALE PRINT			
TOLERANCES			
APPLY TO DESIGN UNITS. CONVERSIONS ARE ONLY FOR REFERENCE. UNLESS NOTED, TOLERANCES ARE ±			
DIM.	TOL.	DIM.	TOL.
mm	mm/in	in	mm/in
NO PLACES	X	1/.04	
ONE PLACE	X,X	0.4/.016	X X 0.8/.03
TWO PLACES	X,XX	0.15/.006	X XX 0.38/.015
THREE PLACES	X,XXX		X XXX 0.13/.005
ANGLES			
SI METRIC		US CUSTOMARY	
DESIGN UNITS	<input type="checkbox"/>		<input checked="" type="checkbox"/>
WEIGHT			