

# Part No. 9000046-XLPDNB

## External ISM Antenna

**868-915 MHz**

Supports: IoT, SigFox, LoRa, Cellular LPWA, RPMA, Tracking, Smart Metering, Smart Home, Healthcare, Digital Signage



### External European ISM Antenna

868-915 MHz

#### KEY BENEFITS

##### Reduced Costs and Time-to-Market

Standard antenna eliminates design fees and cycle time associated with a custom solution; getting products to market faster.

##### Greater Flexibility with Unique Form Factors

KYOCERA AVX's technology helps you deliver more advanced ergonomic designs without adverse impact on product performance.

##### RoHS Compliant

Products are the latest RoHS version compliant.

#### APPLICATIONS

- Medical applications
- Home automation
- Smart metering
- M2M, Industrial devices
- Point of Sale
- Tracking
- Commercial/Communication
- Radar
- Wireless Monitoring
- Industrial
- Automotive
- Healthcare
- IoT

KYOCERA AVX's family of external antennas are designed to offer the best performances for a wide range of applications. This sleek external antenna covers ISM bands 868 and 915 MHz and specifically provides compelling advantages for ISM enabled handheld devices, media players and other mobile devices.

#### Global Operations & Design Support

KYOCERA AVX's global operations supports an integrated network of design centers that can take projects from concept to production.

#### Electrical Specifications

Typical Characteristics on circular 120 mm diameter ground plane

Frequency	868-915 MHz
VSWR	< 2.3:1
Efficiency	70%
Peak Gain	0.9 dBi
Impedance	50 Ω
Polarization	Vertical

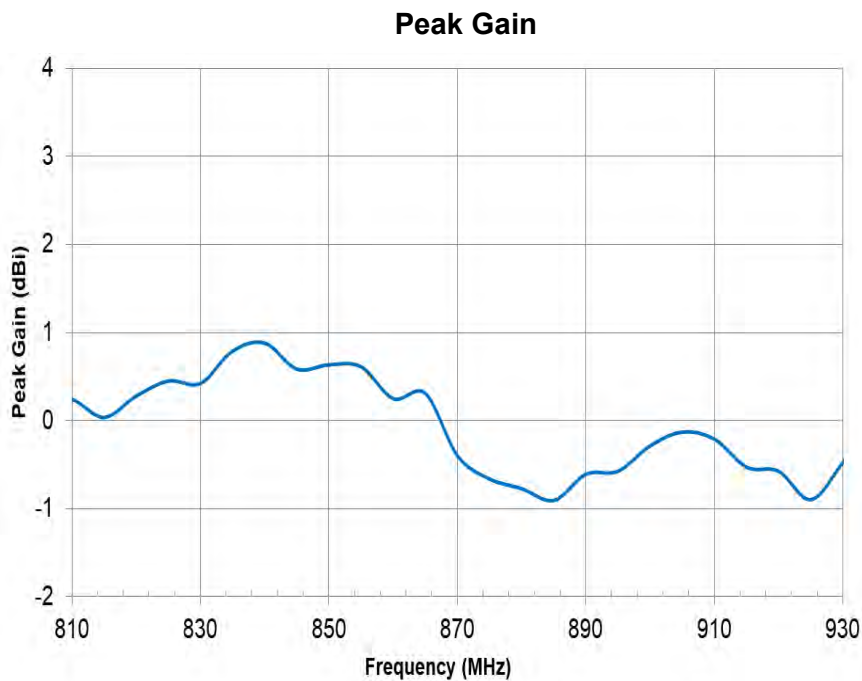
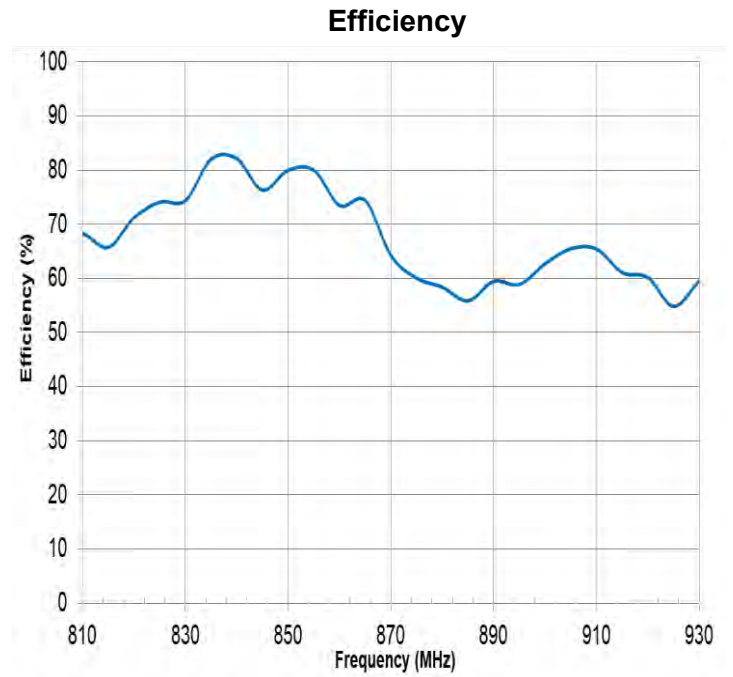
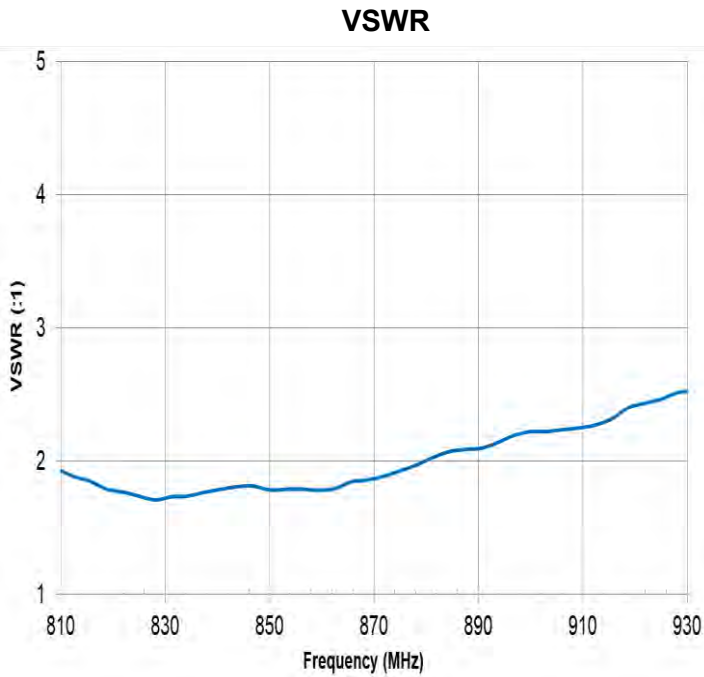
#### Mechanical Specifications & Ordering Part Number

Ordering Part Number	9000046-XLPDNB
Size (mm)	101.0 ± 3.0 height 11.16 ± 1.0 diameter
Connector Type	SMA Male
Weight (grams)	6
Color	Black
Operating Temperature (°C)	-40 to +120

**External ISM Antenna Specifications**  
 KYOCERA AVX produces a wide variety of standard and custom antennas to meet user needs.

**VSWR, Efficiency, and Peak Gain Plots**

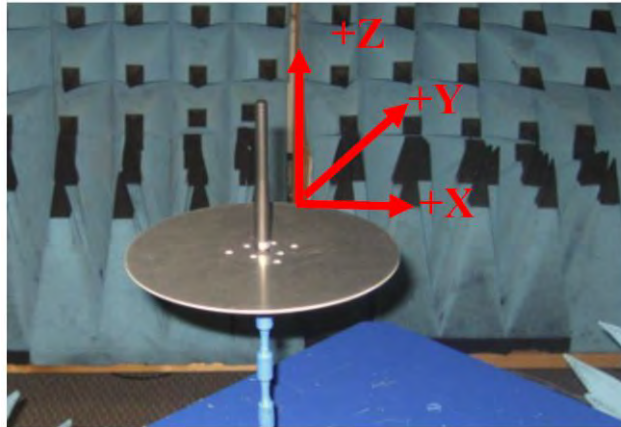
Typical Characteristics on circular 120 mm diameter ground plane



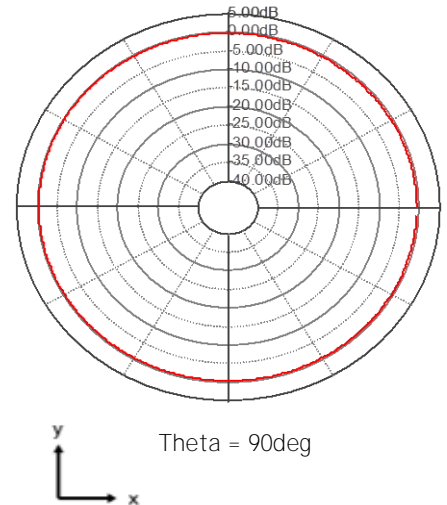
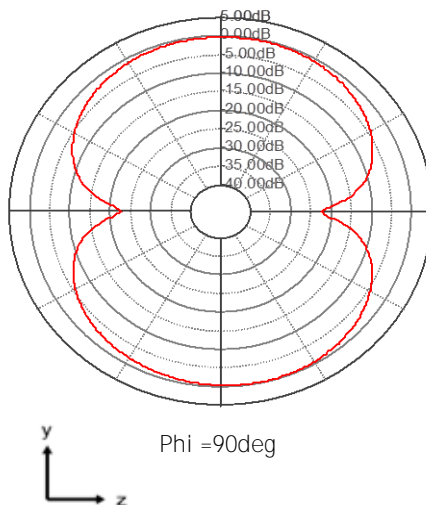
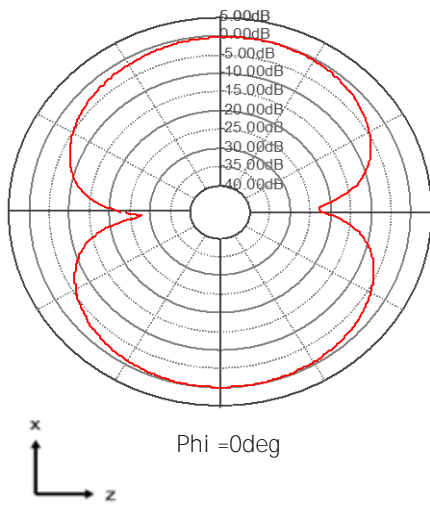
**External ISM Antenna Specifications**  
 KYOCERA AVX produces a wide variety of standard and custom antennas to meet user needs.

**Antenna Radiation Patterns**

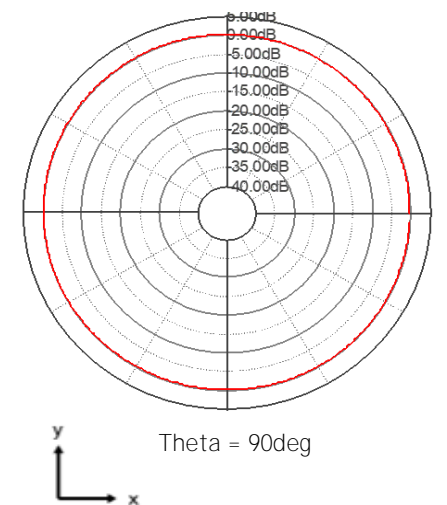
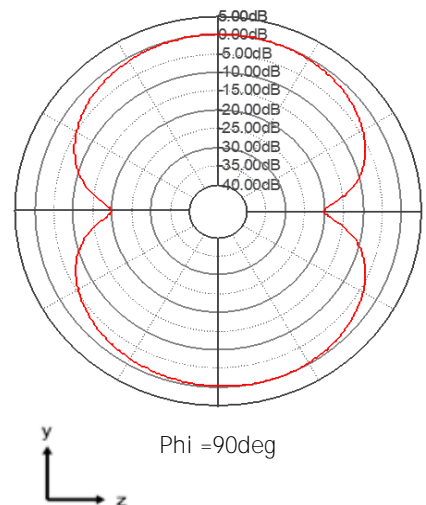
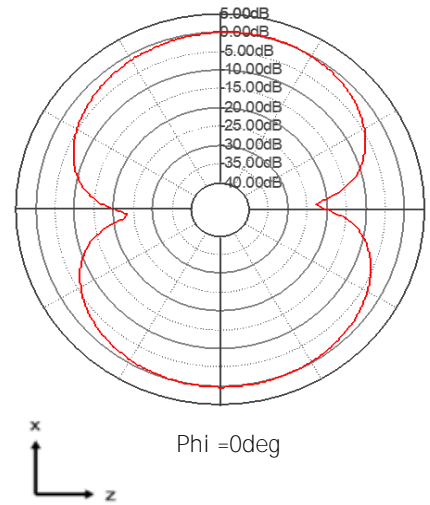
Typical Characteristics on circular 120 mm diameter ground plane



Measured at 868 MHz



Measured at 915 MHz



**External ISM Antenna Specifications**  
 KYOCERA AVX produces a wide variety of standard and custom antennas to meet user needs.

**Mechanical Dimensions**

Typical antenna dimensions (mm)

Part Number	A (mm)	B (mm)	C (mm)	Connector
9000046-XLPDNB	101.± 3.0	11.16 ± 0.1	8.08 ± 0.1	SMA (Male)

