



Power contactor, AC-3 16 A, 7.5 kW / 400 V 1 NO, 24 V DC 3-pole, Size S00 screw terminals

<b>product brand name</b>	SIRIUS
<b>product designation</b>	Power contactor
<b>product type designation</b>	3RT2
<b>General technical data</b>	
<b>size of contactor</b>	S00
<b>product extension</b>	
<ul style="list-style-type: none"> <li>function module for communication</li> <li>auxiliary switch</li> </ul>	<p>No</p> <p>Yes</p>
<b>power loss [W] for rated value of the current</b>	
<ul style="list-style-type: none"> <li>at AC in hot operating state</li> <li>at AC in hot operating state per pole</li> <li>without load current share typical</li> </ul>	<p>3 W</p> <p>1 W</p> <p>4 W</p>
<b>insulation voltage</b>	
<ul style="list-style-type: none"> <li>of main circuit with degree of pollution 3 rated value</li> <li>of auxiliary circuit with degree of pollution 3 rated value</li> </ul>	<p>690 V</p> <p>690 V</p>
<b>surge voltage resistance</b>	
<ul style="list-style-type: none"> <li>of main circuit rated value</li> <li>of auxiliary circuit rated value</li> </ul>	<p>6 kV</p> <p>6 kV</p>
maximum permissible voltage for safe isolation between coil and main contacts according to EN 60947-1	400 V
<b>shock resistance at rectangular impulse</b>	
<ul style="list-style-type: none"> <li>at DC</li> </ul>	7.3g / 5 ms, 4.7g / 10 ms
<b>shock resistance with sine pulse</b>	
<ul style="list-style-type: none"> <li>at DC</li> </ul>	11,4g / 5 ms, 7,3g / 10 ms
<b>mechanical service life (switching cycles)</b>	
<ul style="list-style-type: none"> <li>of contactor typical</li> <li>of the contactor with added electronically optimized auxiliary switch block typical</li> <li>of the contactor with added auxiliary switch block typical</li> </ul>	<p>30 000 000</p> <p>5 000 000</p> <p>10 000 000</p>
<b>reference code according to IEC 81346-2</b>	Q
<b>Substance Prohibitance (Date)</b>	10/01/2009
<b>Ambient conditions</b>	
installation altitude at height above sea level maximum	2 000 m
<b>ambient temperature</b>	
<ul style="list-style-type: none"> <li>during operation</li> <li>during storage</li> </ul>	<p>-25 ... +60 °C</p> <p>-55 ... +80 °C</p>
<b>relative humidity minimum</b>	10 %
<b>relative humidity at 55 °C according to IEC 60068-2-30 maximum</b>	95 %

## Main circuit

<b>number of poles for main current circuit</b>	3
<b>number of NO contacts for main contacts</b>	3
<b>operating voltage</b>	
• at AC-3 rated value maximum	690 V
• at AC-3e rated value maximum	690 V
<b>operational current</b>	
• at AC-1 at 400 V at ambient temperature 40 °C rated value	22 A
• at AC-1	
— up to 690 V at ambient temperature 40 °C rated value	22 A
— up to 690 V at ambient temperature 60 °C rated value	20 A
• at AC-3	
— at 400 V rated value	16 A
— at 500 V rated value	12.4 A
— at 690 V rated value	8.9 A
• at AC-3e	
— at 400 V rated value	16 A
— at 500 V rated value	12.4 A
— at 690 V rated value	8.9 A
• at AC-4 at 400 V rated value	11.5 A
• at AC-5a up to 690 V rated value	19.4 A
• at AC-5b up to 400 V rated value	13.2 A
• at AC-6a	
— up to 230 V for current peak value n=20 rated value	9.6 A
— up to 400 V for current peak value n=20 rated value	9.6 A
— up to 500 V for current peak value n=20 rated value	9.6 A
— up to 690 V for current peak value n=20 rated value	8.9 A
• at AC-6a	
— up to 230 V for current peak value n=30 rated value	6.6 A
— up to 400 V for current peak value n=30 rated value	6.4 A
— up to 500 V for current peak value n=30 rated value	6.4 A
— up to 690 V for current peak value n=30 rated value	6.4 A
minimum cross-section in main circuit at maximum AC-1 rated value	4 mm <sup>2</sup>
<b>operational current for approx. 200000 operating cycles at AC-4</b>	
• at 400 V rated value	5.5 A
• at 690 V rated value	4.4 A
<b>operational current</b>	
• <b>at 1 current path at DC-1</b>	
— at 24 V rated value	20 A
— at 110 V rated value	2.1 A
— at 220 V rated value	0.8 A
— at 440 V rated value	0.6 A
— at 600 V rated value	0.6 A
• <b>with 2 current paths in series at DC-1</b>	
— at 24 V rated value	20 A
— at 110 V rated value	12 A
— at 220 V rated value	1.6 A
— at 440 V rated value	0.8 A
— at 600 V rated value	0.7 A
• <b>with 3 current paths in series at DC-1</b>	

— at 24 V rated value	20 A
— at 110 V rated value	20 A
— at 220 V rated value	20 A
— at 440 V rated value	1.3 A
— at 600 V rated value	1 A
● <b>at 1 current path at DC-3 at DC-5</b>	
— at 24 V rated value	20 A
— at 110 V rated value	0.1 A
● <b>with 2 current paths in series at DC-3 at DC-5</b>	
— at 24 V rated value	20 A
— at 110 V rated value	0.35 A
● <b>with 3 current paths in series at DC-3 at DC-5</b>	
— at 24 V rated value	20 A
— at 110 V rated value	20 A
— at 220 V rated value	1.5 A
— at 440 V rated value	0.2 A
— at 600 V rated value	0.2 A
<b>operating power</b>	
● at AC-3	
— at 230 V rated value	4 kW
— at 400 V rated value	7.5 kW
— at 500 V rated value	7.5 kW
— at 690 V rated value	7.5 kW
● at AC-3e	
— at 230 V rated value	4 kW
— at 400 V rated value	7.5 kW
— at 500 V rated value	7.5 kW
— at 690 V rated value	7.5 kW
<b>operating power for approx. 200000 operating cycles at AC-4</b>	
● at 400 V rated value	2.5 kW
● at 690 V rated value	3.5 kW
<b>operating apparent power at AC-6a</b>	
● up to 230 V for current peak value n=20 rated value	3.8 kVA
● up to 400 V for current peak value n=20 rated value	6.6 kVA
● up to 500 V for current peak value n=20 rated value	8.3 kVA
● up to 690 V for current peak value n=20 rated value	10.6 kVA
<b>operating apparent power at AC-6a</b>	
● up to 230 V for current peak value n=30 rated value	2.5 kVA
● up to 400 V for current peak value n=30 rated value	4.4 kVA
● up to 500 V for current peak value n=30 rated value	5.5 kVA
● up to 690 V for current peak value n=30 rated value	7.6 kVA
<b>short-time withstand current in cold operating state up to 40 °C</b>	
● limited to 1 s switching at zero current maximum	300 A; Use minimum cross-section acc. to AC-1 rated value
● limited to 5 s switching at zero current maximum	169 A; Use minimum cross-section acc. to AC-1 rated value
● limited to 10 s switching at zero current maximum	128 A; Use minimum cross-section acc. to AC-1 rated value
● limited to 30 s switching at zero current maximum	92 A; Use minimum cross-section acc. to AC-1 rated value
● limited to 60 s switching at zero current maximum	74 A; Use minimum cross-section acc. to AC-1 rated value
<b>no-load switching frequency</b>	
● at DC	10 000 1/h
<b>operating frequency</b>	
● at AC-1 maximum	1 000 1/h
● at AC-2 maximum	750 1/h
● at AC-3 maximum	750 1/h
● at AC-3e maximum	750 1/h
● at AC-4 maximum	250 1/h
<b>Control circuit/ Control</b>	
<b>type of voltage of the control supply voltage</b>	DC
<b>control supply voltage at DC</b>	

<ul style="list-style-type: none"> <li>• rated value</li> </ul>	24 V
<b>operating range factor control supply voltage rated value of magnet coil at DC</b>	
<ul style="list-style-type: none"> <li>• initial value</li> <li>• full-scale value</li> </ul>	0.8 1.1
<b>closing power of magnet coil at DC</b>	4 W
<b>holding power of magnet coil at DC</b>	4 W
<b>closing delay</b>	
<ul style="list-style-type: none"> <li>• at DC</li> </ul>	30 ... 100 ms
<b>opening delay</b>	
<ul style="list-style-type: none"> <li>• at DC</li> </ul>	7 ... 13 ms
<b>arcing time</b>	10 ... 15 ms
<b>control version of the switch operating mechanism</b>	Standard A1 - A2
<b>Auxiliary circuit</b>	
number of NO contacts for auxiliary contacts instantaneous contact	1
operational current at AC-12 maximum	10 A
<b>operational current at AC-15</b>	
<ul style="list-style-type: none"> <li>• at 230 V rated value</li> <li>• at 400 V rated value</li> <li>• at 500 V rated value</li> <li>• at 690 V rated value</li> </ul>	10 A 3 A 2 A 1 A
<b>operational current at DC-12</b>	
<ul style="list-style-type: none"> <li>• at 24 V rated value</li> <li>• at 48 V rated value</li> <li>• at 60 V rated value</li> <li>• at 110 V rated value</li> <li>• at 125 V rated value</li> <li>• at 220 V rated value</li> <li>• at 600 V rated value</li> </ul>	10 A 6 A 6 A 3 A 2 A 1 A 0.15 A
<b>operational current at DC-13</b>	
<ul style="list-style-type: none"> <li>• at 24 V rated value</li> <li>• at 48 V rated value</li> <li>• at 60 V rated value</li> <li>• at 110 V rated value</li> <li>• at 125 V rated value</li> <li>• at 220 V rated value</li> <li>• at 600 V rated value</li> </ul>	10 A 2 A 2 A 1 A 0.9 A 0.3 A 0.1 A
<b>contact reliability of auxiliary contacts</b>	1 faulty switching per 100 million (17 V, 1 mA)
<b>UL/CSA ratings</b>	
<b>full-load current (FLA) for 3-phase AC motor</b>	
<ul style="list-style-type: none"> <li>• at 480 V rated value</li> <li>• at 600 V rated value</li> </ul>	14 A 11 A
<b>yielded mechanical performance [hp]</b>	
<ul style="list-style-type: none"> <li>• for single-phase AC motor <ul style="list-style-type: none"> <li>— at 110/120 V rated value</li> <li>— at 230 V rated value</li> </ul> </li> <li>• for 3-phase AC motor <ul style="list-style-type: none"> <li>— at 200/208 V rated value</li> <li>— at 220/230 V rated value</li> <li>— at 460/480 V rated value</li> <li>— at 575/600 V rated value</li> </ul> </li> </ul>	1 hp 2 hp 3 hp 5 hp 10 hp 10 hp
<b>contact rating of auxiliary contacts according to UL</b>	A600 / Q600
<b>Short-circuit protection</b>	
<b>design of the fuse link</b>	
<ul style="list-style-type: none"> <li>• for short-circuit protection of the main circuit <ul style="list-style-type: none"> <li>— with type of coordination 1 required</li> <li>— with type of assignment 2 required</li> </ul> </li> <li>• for short-circuit protection of the auxiliary switch required</li> </ul>	gG: 50A (690V,100kA), aM: 25A (690V,100kA), BS88: 50A (415V,80kA) gG: 25A (690V,100kA), aM: 20A (690V,100kA), BS88: 25A (415V,80kA) gG: 10 A (500 V, 1 kA)

**Installation/ mounting/ dimensions**

<b>mounting position</b>	+/-180° rotation possible on vertical mounting surface; can be tilted forward and backward by +/- 22.5° on vertical mounting surface
<b>fastening method</b>	screw and snap-on mounting onto 35 mm standard mounting rail according to DIN EN 60715
<ul style="list-style-type: none"> <li>• side-by-side mounting</li> </ul>	Yes
<b>height</b>	58 mm
<b>width</b>	45 mm
<b>depth</b>	73 mm
<b>required spacing</b>	
<ul style="list-style-type: none"> <li>• with side-by-side mounting <ul style="list-style-type: none"> <li>— forwards 10 mm</li> <li>— upwards 10 mm</li> <li>— downwards 10 mm</li> <li>— at the side 0 mm</li> </ul> </li> <li>• for grounded parts <ul style="list-style-type: none"> <li>— forwards 10 mm</li> <li>— upwards 10 mm</li> <li>— at the side 6 mm</li> <li>— downwards 10 mm</li> </ul> </li> <li>• for live parts <ul style="list-style-type: none"> <li>— forwards 10 mm</li> <li>— upwards 10 mm</li> <li>— downwards 10 mm</li> <li>— at the side 6 mm</li> </ul> </li> </ul>	

**Connections/ Terminals**

<b>type of electrical connection</b>	
<ul style="list-style-type: none"> <li>• for main current circuit</li> <li>• for auxiliary and control circuit</li> <li>• at contactor for auxiliary contacts</li> <li>• of magnet coil</li> </ul>	screw-type terminals screw-type terminals Screw-type terminals Screw-type terminals
<b>type of connectable conductor cross-sections</b>	
<ul style="list-style-type: none"> <li>• for main contacts <ul style="list-style-type: none"> <li>— solid 2x (0.5 ... 1.5 mm<sup>2</sup>), 2x (0.75 ... 2.5 mm<sup>2</sup>), 2x 4 mm<sup>2</sup></li> <li>— solid or stranded 2x (0,5 ... 1,5 mm<sup>2</sup>), 2x (0,75 ... 2,5 mm<sup>2</sup>), 2x 4 mm<sup>2</sup></li> <li>— finely stranded with core end processing 2x (0.5 ... 1.5 mm<sup>2</sup>), 2x (0.75 ... 2.5 mm<sup>2</sup>)</li> </ul> </li> <li>• at AWG cables for main contacts 2x (20 ... 16), 2x (18 ... 14), 2x 12</li> </ul>	
<b>connectable conductor cross-section for main contacts</b>	
<ul style="list-style-type: none"> <li>• solid 0.5 ... 4 mm<sup>2</sup></li> <li>• stranded 0.5 ... 4 mm<sup>2</sup></li> <li>• finely stranded with core end processing 0.5 ... 2.5 mm<sup>2</sup></li> </ul>	
<b>connectable conductor cross-section for auxiliary contacts</b>	
<ul style="list-style-type: none"> <li>• solid or stranded 0.5 ... 4 mm<sup>2</sup></li> <li>• finely stranded with core end processing 0.5 ... 2.5 mm<sup>2</sup></li> </ul>	
<b>type of connectable conductor cross-sections</b>	
<ul style="list-style-type: none"> <li>• for auxiliary contacts <ul style="list-style-type: none"> <li>— solid or stranded 2x (0.5 ... 1.5 mm<sup>2</sup>), 2x (0.75 ... 2.5 mm<sup>2</sup>), 2x 4 mm<sup>2</sup></li> <li>— finely stranded with core end processing 2x (0.5 ... 1.5 mm<sup>2</sup>), 2x (0.75 ... 2.5 mm<sup>2</sup>)</li> </ul> </li> <li>• at AWG cables for auxiliary contacts 2x (20 ... 16), 2x (18 ... 14), 2x 12</li> </ul>	
<b>AWG number as coded connectable conductor cross section</b>	
<ul style="list-style-type: none"> <li>• for main contacts 20 ... 12</li> <li>• for auxiliary contacts 20 ... 12</li> </ul>	

**Safety related data**

<b>product function</b>	
<ul style="list-style-type: none"> <li>• mirror contact according to IEC 60947-4-1</li> </ul>	Yes; with 3RH29
B10 value with high demand rate according to SN 31920	1 000 000
<b>proportion of dangerous failures</b>	
<ul style="list-style-type: none"> <li>• with low demand rate according to SN 31920</li> </ul>	40 %

<ul style="list-style-type: none"> <li>with high demand rate according to SN 31920</li> </ul>	73 %
failure rate [FIT] with low demand rate according to SN 31920	100 FIT
T1 value for proof test interval or service life according to IEC 61508	20 y
protection class IP on the front according to IEC 60529	IP20
touch protection on the front according to IEC 60529	finger-safe, for vertical contact from the front
<b>suitability for use</b> <ul style="list-style-type: none"> <li>safety-related switching OFF</li> </ul>	Yes

#### Certificates/ approvals

##### General Product Approval



[Confirmation](#)



[KC](#)



EMC	Functional Safety/Safety of Machinery	Declaration of Conformity	Test Certificates
-----	---------------------------------------	---------------------------	-------------------



[Type Examination Certificate](#)



EG-Konf.

[Type Test Certificates/Test Report](#)

[Special Test Certificate](#)

Test Certificates	Marine / Shipping
-------------------	-------------------

[Miscellaneous](#)



Marine / Shipping	other	Dangerous Good
-------------------	-------	----------------



[Confirmation](#)



[Transport Information](#)

#### Further information

Information- and Downloadcenter (Catalogs, Brochures,...)

<https://www.siemens.com/ic10>

Industry Mall (Online ordering system)

<https://mall.industry.siemens.com/mall/en/en/Catalog/product?mlfb=3RT2018-1BB41>

Cax online generator

<http://support.automation.siemens.com/WW/CAXorder/default.aspx?lang=en&mlfb=3RT2018-1BB41>

Service&Support (Manuals, Certificates, Characteristics, FAQs,...)

<https://support.industry.siemens.com/cs/ww/en/ps/3RT2018-1BB41>

Image database (product images, 2D dimension drawings, 3D models, device circuit diagrams, EPLAN macros, ...)

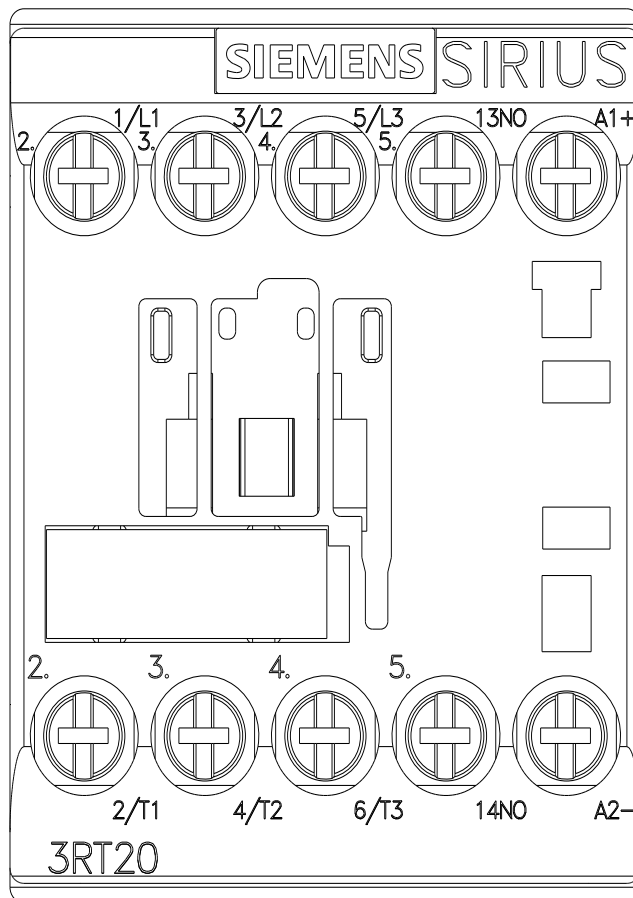
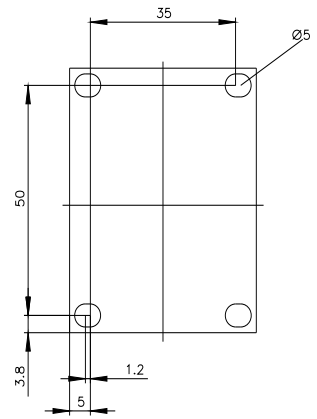
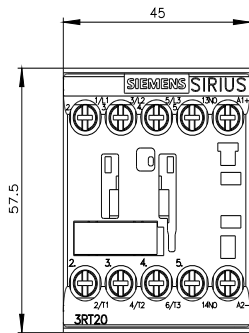
[http://www.automation.siemens.com/bilddb/cax\\_de.aspx?mlfb=3RT2018-1BB41&lang=en](http://www.automation.siemens.com/bilddb/cax_de.aspx?mlfb=3RT2018-1BB41&lang=en)

Characteristic: Tripping characteristics, I<sub>t</sub>, Let-through current

<https://support.industry.siemens.com/cs/ww/en/ps/3RT2018-1BB41/char>

Further characteristics (e.g. electrical endurance, switching frequency)

<http://www.automation.siemens.com/bilddb/index.aspx?view=Search&mlfb=3RT2018-1BB41&objecttype=14&gridview=view1>



last modified:

6/2/2022