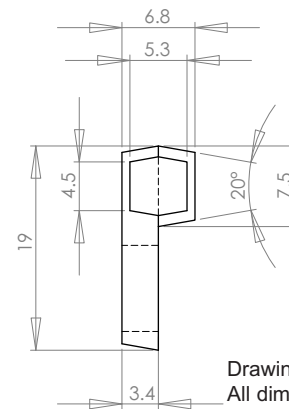
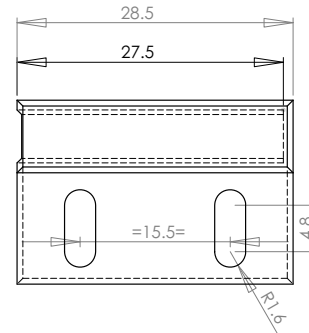


PICTURE

DIMENSIONS



Drawings not to scale
 All dimensions in mm nominal

✓ RoHS Compliant

SPECIFICATION

Length	mm	28.5
Width	mm	19
Depth	mm	6.8
Case Material		Glass filled Nylon
Gauss Strength at Surface (Typical)		1100
Operating Temperature (Max)	Celcius	115

Applications Include

- Position and limit sensing.
- Linear actuators.
- Security system switch.
- Door Switch.

Options

- Available in various plastic materials.
- Customised Gauss strengths available.
- If you do not see what you need, just ask, as there is a strong possibility we can do it !

Rev. No.

Revision Note

Date

Signature

1

Datasheet

29-06-12

ML



ISO 9001:2008
 Certificate No. FM21080

As part of the company policy of continued product improvement, specifications may change without notice. Our sales office will be pleased to help you with the latest information on this product range and the details of our full design and manufacturing service. All products are supplied to our standard conditions of sale unless otherwise agreed in writing.

Phone : +44 (0)1255 862236

www.assemtech.co.uk

Fax: +44 (0)1255 862014

©2012 Copyright Assemtech Europe Ltd, Unit 7, Rice Bridge Industrial Estate, Thorpe - Le - Soken, Essex, CO16 0HL, ENGLAND.
 USA: Comus International: +1 973 777 6900, Belgium: Comus Belgium BVBA: +32 (0)12 390400