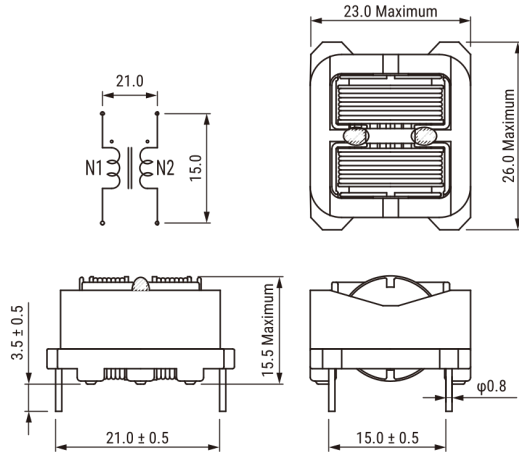


SSHB21HS-10145

Aliases (UALSB2S1014500)

KEMET, SSHB21HS, AC Line Filters, Dual Mode, 14.5 mH



Click [here](#) for the 3D model.

Dimensions

L	26mm MAX
T	23mm MAX
H	15.5mm MAX
LL	3.5mm +/-0.5mm
S	21mm +/-0.5mm
S1	15mm NOM
Wire Size	0.32mm

Packaging Specifications

Packaging	Tray
Packaging Quantity	360
Component Weight	14 g

General Information

Series	SSHB21HS
Style	Through-Hole
RoHS	Yes
Notes	Marking: 10 Lot No.
Miscellaneous	Temperature Rise Maximum: 65 K.
Core	Mn-Zn Ferrite

Specifications

Voltage AC	250 VAC
Inductance	14.5 mH (10 kHz)
Current	1A
Temperature Range	-25/+130°C
DC Resistance	570 mOhms