

Quick Start Guide MC56F83000 Evaluation Kit



Quick Start Guide

GET TO KNOW THE MC56F83000-EVK

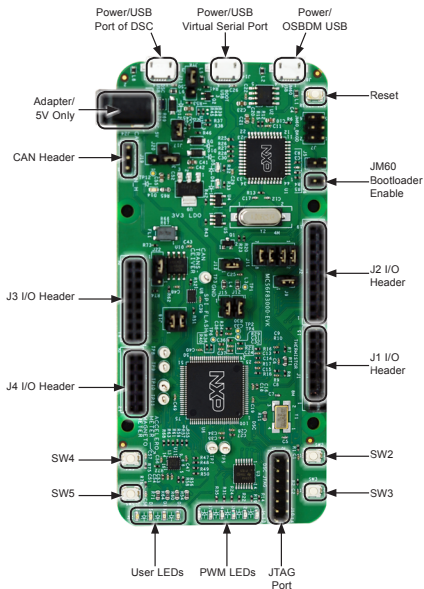


Figure 1: MC56F83000-EVK Callouts

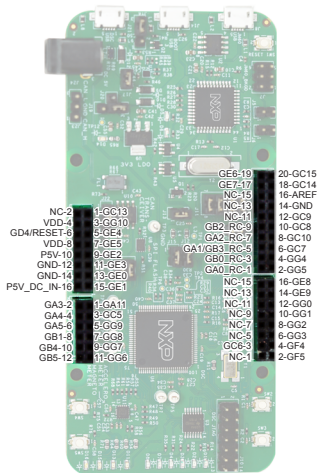


Figure 2: MC56F83000-EVK Pin-Outs

ATTENTIONS

1. MC56F83000-EVK can be powered by either of the three USB connectors (J8, J14, J21), or the adapter input (J24). Beware that only an adapter with 5V output can be used.
2. When the board is powered up, a green LED D14 will illuminate, indicating 3.3V is on. Notice that Boot ROM code is executed first out of reset, a time of about 3 seconds are consumed by ROM bootloader to check the active communication port (I²C, CAN, SCI) before application code is executed.
3. J8 is the on-board OSBDM (realized by JM60) connector which can be used to debug/program 56F83789.
4. J14 is the virtual serial port connector which can be used by ROM bootloader. CP210x USB to UART bridge VCP drivers are needed.
5. J21 is the USB connector of 56F83789 on chip USB module.
6. J6 is JM60 bootloader enable jumper for OSBDM update.
7. J10 is the JTAG connector for 56F83789. Remember to remove the four jumpers on J11 when this JTAG is used. This is to avoid the impact of on-board OSBDM circuit.
8. Explore more out-of-box demos and download software and tools at www.nxp.com/MC56F83000-EVK.

SUPPORT

Visit www.nxp.com/support for a list of phone numbers within your region.

WARRANTY

Visit www.nxp.com/warranty for complete warranty information.



Get Started

Download installation software and documentation at www.nxp.com/MC56F83000-EVK.

www.nxp.com

NXP and the NXP logo are trademarks of NXP B.V. All other product or service names are the property of their respective owners. © 2019 NXP B.V.

Document Number: MC56F83000EVKQSG REV 0
Agile Number: 926-46245 Rev A